



OPERATION MANUAL

COMPACT-I — AUTOMATIC SPRAY GUN

CONVENTIONAL, TRANS-TECH & HVLP

Air Cap Selection Determines Spray Technology

English: Pages 1-14
Español: Páginas 15-28



Replacement Parts Ordering Information	SEE PAGE 4
Explanation of Conventional, Trans-Tech and HVLP	SEE PAGE 9
Complete Spray Gun Assembly Ordering Information	SEE PAGE 10
Installation Details	SEE PAGES 11, 12, 13, 14



Operation Manual

Compact-I Automatic Spraygun

Important

Read and follow all instructions and Safety Precautions before using this equipment

CHARACTERISTICS

This automatic spray gun complies to ATEX regulations 94/9/EC, protection level II 2 G X, suitable to use in Zones 1 & 2.

This Compact-I is a production spray gun suitable for use with automatic and semi-automatic machine in conventional, HVLP or Trans-Tech application. (See page 9 for application details.)

To handle a wide range of coating materials the material passages are manufactured from high grade stainless

steel. Several needles are available with plastic tips.

Fluid tips and needles are available in high grade stainless steel.

Pressure feed material supply can be re-circulating or direct.

The needle adjustment knob has 18 ratchet positions (per one revolution of the knob) which allows fine and accurate fluid flow control.

SPECIFICATIONS & MATERIALS OF CONSTRUCTION

	Thread	Pressure
Fluid inlet & recirculation "P" & "R"	1/4" BSPP(F)	Max 7 Bars (100 psi)
Air inlet (Atom & Fan) "A" & "F"	1/4" BSPP(F)	Max 7 Bars (100 psi)
Cylinder/trigger "Cyl"	1/8" BSPP(F)	4 to 7 Bars (60-100 psi)
Maximum temperature in use	40° C (104° F)	
Spray gun weight	656 gms (1.44 lbs)	
Gun body	Aluminium hard anodized	
Tip / Needle / Spray head	Stainless steel 303	



PROP 65 WARNING
 WARNING: This product contains chemicals known to the State of California to cause cancer and birth defects or other reproductive harm.

EC Declaration of Conformity











We, **Finishing Brands UK, Ringwood Rd, Bournemouth, Dorset, BH11 9LH, UK**, as the manufacturer of the **Spray gun model Compact-I**, declare, under our sole responsibility that the equipment to which this document relates is in conformity with the following standards or other normative documents:

BS EN 292-1 PARTS 1 & 2: 1991, BS EN 1953: 1999; and thereby conform to the protection requirements of Council Directive **98/37/EEC** relating to **Machinery Safety Directive**, and; **EN 13463-1:2001**, council Directive **94/9/EC** relating to **Equipment and Protective Systems intended for use in Potentially Explosive Atmospheres protection level II 2 G X**.

D. Smith, General Manager
 12th February 2014



SAFETY WARNINGS

   	<p>FIRE AND EXPLOSION</p> <p>Solvents and coating materials can be highly flammable or combustible when sprayed. ALWAYS refer to the coating material supplier's instructions and MSDS sheets before using this equipment.</p> <p>Users must comply with all local and national codes of practice and insurance company requirements governing ventilation, fire precautions, operation and house-keeping of working areas.</p> <p>This equipment, as supplied, is <u>NOT</u> suitable for use with <u>Halogenated Hydrocarbons</u>.</p> <p>Static Electricity can be generated by fluid and/or air passing through hoses, by the spraying process and by cleaning non- conductive parts with cloths. To prevent ignition sources from static discharges, earth continuity must be maintained to the spray gun and other metallic equipment used. It is essential to use conductive air and/or fluid hoses.</p>
    	<p>PERSONAL PROTECTIVE EQUIPMENT</p> <p>Toxic vapors – <i>When sprayed, certain materials may be poisonous, create irritation or be otherwise harmful to health. Always read all labels, safety data sheets and follow any recommendations for the material before spraying. If In doubt, contact your material supplier.</i></p> <p>The use of respiratory protective equipment is recommended at all times. The type of equipment must be compatible with the material being sprayed.</p> <p>Always wear eye protection when spraying or cleaning the spray gun</p> <p>Gloves must be worn when spraying or cleaning the equipment.</p>
	<p>TRAINING</p> <p>Personnel should be given adequate training in the safe use of spraying equipment.</p>
	<p>MISUSE</p> <p>Never aim a spray gun at any part of the body.</p> <p>Never exceed the max. recommended safe working pressure for the equipment.</p> <p>The fitting of non-recommended or non-original spares may create hazards.</p> <p>Before cleaning or maintenance, all pressure must be relieved from the equipment.</p> <p>The product's metal parts can be cleaned using a gun-washing machine. However, this equipment should not be left inside gun-washing machines for prolonged periods of time. Certain seals and o-rings may not be solvent compatible.</p>
	<p>NOISE LEVELS</p> <p>The A-weighted sound level of spray guns may exceed 85 dB (A) depending on the set-up being used. Details of actual noise levels are available on request. It is recommended that ear protection is worn at all times when spraying.</p>
	<p>OPERATING</p> <p>Spray equipment using high pressures may be subject to recoil forces. Under certain circumstances, such forces could result in repetitive strain injury to the operator.</p>

PARTS LIST

For the arrangement of the parts, refer to the exploded view on page 5.

Item	Description	Order Part Number	Qty
1	Air cap and its retaining ring with seals. See chart on page 6.	SP-100-xxx-K	1
2	Tip with air separator seal Ø 0.85 / 1.0 / 1.4 / 1.8 / 2.2 mm Ø 0.5 for air cap 590 Air cap 591	SP-200S-xx-K SP-259S-xx-K	1
4	Locator ring for indexed air cap	SPA-112	1
5	Air separator ring (kit of 5 rings)	SPA-27-K5*	1
6	Screw M4 x 25 (kit of 4 Torx 20 screws)	S-14192-K4*	4
8	Spray head for Compact-I	SPA-40	1
9	Packing seal (kit includes items 9▲, 10, 11, 16a)	SPK-115*	1
10	Sealing washer (kit includes items 9, 10, 11, 16a)	SPK-115*	1
11	O-ring gasket (kit includes items 9, 10, 11■, 16a)	SPK-115*	2
12	Gun body for Compact-I	SPA-1-CMAI-S	1
13	Air valve (fan and atomizing air)	AGG-403	2
14	O-ring (kit includes items 14, 15a, 16)	SPK-104*	1
15	Piston + o-ring (kit includes items 14, 15a, 15b, 16)	SPA-6X-K*	1
15a	O-ring (kit includes items 14, 15a, 16)	SPK-104*	1
15b	Piston	REF.	1
16	O-ring (kit includes items 14, 15a, 16)	SPK-104*	1
16a	O-ring (kit includes items 9, 10, 11, 16a)	SPK-115*	1
17	Piston Spring (kit includes items 17, 22, 23, 24)	SPK-105*	1
18	Stainless steel needle 0.5 / 0.85 / 1.0 / 1.4 / 1.8 / 2.2 mm Plastic tip needle 0.85 / 1.4 mm	SPA-310-xx SPA-310P-xx	1
19	Housing	SPA-3	1
20	Kit of ring and ball for ratchet (kit includes items 20, 21, 25)	SPK-106*	1
21	Ring (kit includes items 20, 21, 25)	SPK-106*	1
22	Needle spring (kit includes items 17, 22, 23, 24)	SPK-105*	1
23	Spring cap (kit includes items 17, 22, 23, 24)	SPK-105*	1
24	Spring washer (kit includes items 17, 22, 23, 24)	SPK-105*	1
25	Adjusting knob (kit includes items 20, 21, 25)	SPK-106*	1
27	Kit for air connection of remote control (includes "A" and "F" fittings)	SPA-22-K2*	1
28	Gun mounting bar (kit includes items 28, 29, 31)	SPK-110*	1
29	Gun mounting bar nut (kit includes items 28, 29, 31)	SPK-110*	1
30	Plug ¼" BSPP for spray gun without fluid recirculation	REF.	1
31	M5 hexagon socket head cap screw, length 8 (kit includes items 28, 29, 31)	SPK-110*	2
32	Fluid insert plug	REF.	1
33	Kit of retaining ring with gasket (kit includes air cap ring and gaskets)	SPK-102-K*	1

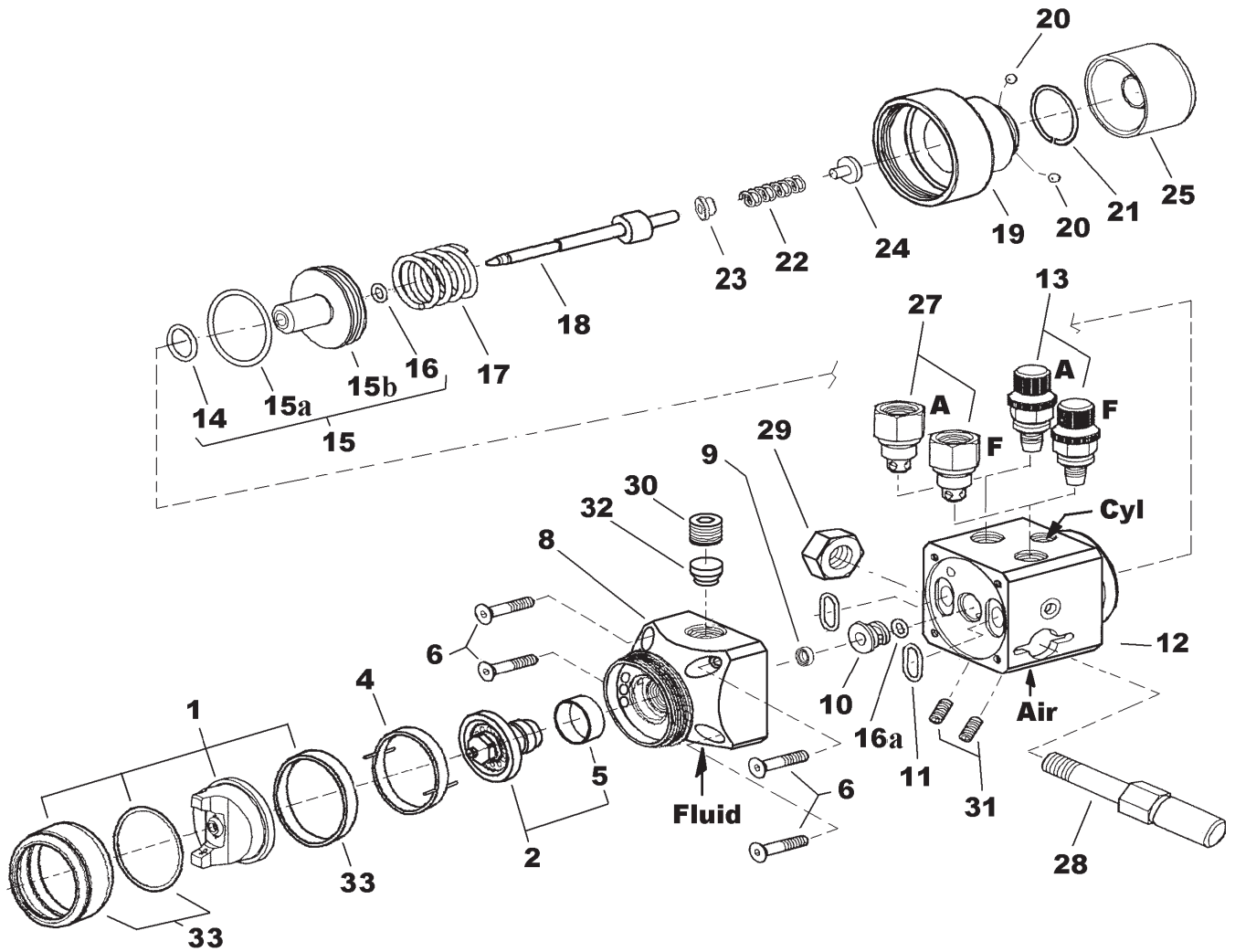
*Spare parts must be ordered as part of replacement kits listed above.

▲ Item 9: Fluid packings only (10 pack) SPA-86-K10.

■ Item 11: Air gaskets only (10 pack) SPA-53-K10.

See page 10 for additional adapter/fitting kits for air and fluid hoses.

Compact-I AUTOMATIC SPRAY GUN



COMPACT-I AUTOMATIC GUN
EXAMPLE OF PART NUMBERING SYSTEM

CMAI-85P

CMAI	85	P
Compact-I Automatic Spray Gun	85 = .85 mm Fluid Nozzle and Needle 00 = No Fluid Nozzle, No Needle	P = Plastic Needle - or no letter = Stainless Steel Needle

NOTE: SPN-8 Torx wrench for item 6 shipped with gun.

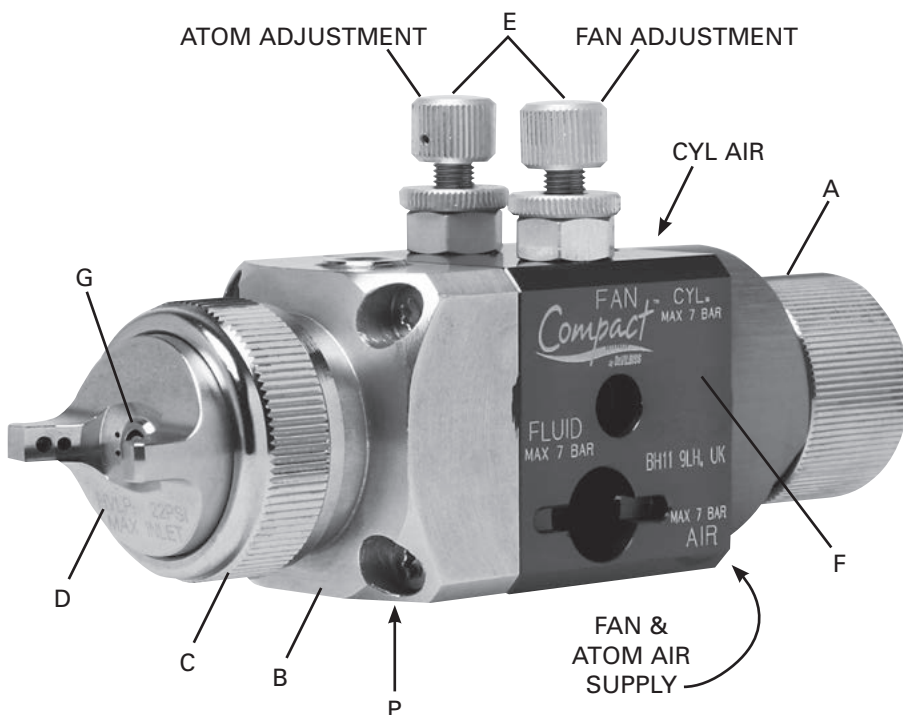
Compact-I AUTOMATIC GUN — AVAILABLE AIR CAPS

Air cap	Type	Air Flow		Pressure at Inlet		Fluid Flow		Pattern size @ 8" distance	
		SCFM	l/min	psi	bar	oz/min	ml/min	in	mm
SP-100-430-K	Conventional	12	340	50.7	3.5	6.7 - 9.5	200 - 280	7.9	200
SP-100-443-K	Conventional	12.2	345	43.5	3.0	6.7 - 10.1	200 - 300	11.8	300
SP-100-497-K	Conventional	18	510	50.7	3.5	6.7 - 20.2	200 - 600	15.0	380
SP-100-500R-K	Round Spray	6.8	200	16.0	1.1	.6 - 5.0	20-150	1.6	40
SP-100-506-K	H V L P	10.6	300	19	1.3	4.4 - 6.5	130 - 190	12	310
SP-100-507-K	H V L P	19	385	40	1.4	4.4 - 6.5	130 - 190	10.6	270
SP-100-508-K	H V L P	11	311	14	1.0	4.4 - 6.5	130 - 190	10	250
SP-100-510-K	Trans-Tech	10	283	29	2.0	5.4 - 7.5	160 - 220	10.6	270
SP-100-513-K	Trans-Tech	18.8	531	43.5	3.0	6.7 - 20.2	200 - 600	13.8	350
SP-100-522-K	Trans-Tech	14.5	410	29	2.0	6.7 - 20.2	200 - 600	13.8	350
SP-100-590-K	Trans-Tech	7.7	218	29	2.0	1.6 - 5.0	50 -150	6.0	150
SP-100-591-K	Trans-Tech	12.3	350	29	2.0	1.7 - 5.1	50 -150	4.5	115
KK-5090-507	HVLP Test Kit – includes cap, gauge & tube								

Other test kits available: KK-5090-430, KK-5090-443, KK-5090-497, KK-5090-506, KK-5090-507, KK-5090-508, KK-5090-510, KK-5090-513, KK-5090-522, KK-5090-590

Compact-I AUTOMATIC GUN — AIR CAP COMBINATIONS

		TYPE	CONVENTIONAL				HVLP			TRANS-TECH			
AIR CAP MODEL NO.		430	443	497	500R	506	507	508	510	513	522	590	591
FLUID TIP SIZES	.020" (0.5 mm)											X	X
	.033" (0.85 mm)				X		X		X	X	X		X
	.039" (1.0 mm)	X	X	X	X	X	X	X	X	X	X		
	.055" (1.4 mm)	X	X	X	X	X	X	X	X	X	X		
	.070" (1.8 mm)	X	X	X	X	X	X		X	X	X		
	.086" (2.2 mm)	X	X	X	X	X	X						



A	Needle travel adjusting knob – 18 positions per 1 turn
B	Gun head – stainless steel
C	Air cap ring
D	Air cap
E	Air valve (fan / atom)
F	Spray gun body – anodized aluminum
P	Fluid inlet – stainless steel
G	Fluid tip – stainless steel

INSTALLATION



Important: To ensure that this equipment reaches you in first class condition, protective coatings have been used. Flush the equipment through with appropriate solvent before use. Mount the spray gun using mounting stem ref.28 and secure it with nut ref.29.

AIR AND FLUID HOSES

See pages 11, 12, 13 and 14 for installation details.

Use separate filtered regulated air supplies for atomizing and cylinder air. Connect the cylinder air '**CYL AIR**' on top of the body via a control valve. For fast cylinder operation the control valve should be fitted as close to the gun as possible or an additional quick exhaust valve installed in the line. Attach atomizing air hose to the inlet threaded hole '**FAN & ATOM AIR**' under the gun body.

Connect material hose(s) '**P**' to the spray head. If material re-circulation is required, remove plugs (30) & (32). Fit standard connector (¼" BSPP) to the spray head.

Recommended hose size up to 34 ft. (10 m) long:

Atomization Air = 0.315 in. (8 mm)

Cylinder Air = 0.236 in. (6 mm)

Material = 0.315 in. (8 mm)



Important: The Spray gun must be grounded to dissipate any electrostatic charges which may be created by fluid or air flows. This can be achieved through the Spray gun mounting, or conductive air/fluid hoses. Electrical bond from the spray gun to earth should be checked with an ohmmeter. A resistance of less than 10⁶ Ohms is recommended.

SETTING

1. The **ATOM 'A'** air valve controls the atomizing air pressure **FAN 'F'** valve reduces the spray pattern size. To increase the pressure turn clockwise, to reduce turn counter-clockwise.
2. Fluid flow can be adjusted with the rear ratchet knob, fluid flow is increased when you turn the knob counter-clockwise.
3. For the arrangement of the parts, refer to the exploded view on page 5.

STARTING UP

1. Turn the needle adjusting knob (25) clockwise until the needle is fully closed.
2. Turn the **FAN 'F'** and **ATOM 'A'** air valves (13) counter-clockwise to be full open.
3. Use the air cap chart above to set the air pressure at the air regulator to achieve recommended pressures above.
4. Turn the adjusting knob (25) counter clockwise to obtain the desired fluid flow.
5. Test spray. If the finish is too dry or fine, reduce the airflow by reducing the air inlet pressure or by screwing the valve **ATOM 'A'** (13) in clockwise, or increase the fluid flow using ratchet knob, rotating counter clockwise.

INSTALLATION (CONTINUED)


START UP (continued)

6. If the finish is too wet, turn the ratchet knob (25) in clockwise to reduce the fluid flow, or reduce the fluid pressure. If the atomization is too coarse, increase inlet air pressure, or reduce fluid flow.
7. The pattern size can be controlled by turning adjusting valve **FAN 'F'** (13) clockwise.
8. The spray pattern will give the best results when perpendicular to the target.

9. The recommended spray distance is 6" to 8" (150-220 mm).
10. Spray edges first. Overlap each spray stroke a minimum of 50%. Move gun at a constant speed.
11. Always turn off air and fluid supply and relieve pressure and clean down when gun is not in us.


MAINTENANCE

PREVENTIVE MAINTENANCE

 **Turn off air and coating supply and relieve pressure in the supply lines, or disconnect from airline and fluid line.**

1. Remove air cap (1) and clean. If any of the holes in the cap are blocked with coating material use a toothpick to clean. Never use metal wire which could damage the cap and produce distorted spray patterns
2. Ensure the nozzle of the fluid tip (2) is clean and free from damage. Any build up of dried paint can distort the spray pattern.

REPLACEMENT OF PARTS

 **Turn off air and coating supply and relieve pressure in the supply lines, before any maintenance operation.**

TIP (2) & NEEDLE (18)

Remove the air cap (1) by unscrewing its retaining ring counter- clockwise, remove the index ring if it remains on the gun head (if fitted and used).

Remove the tip (2) and its air separator ring (3) by unscrewing counter- clockwise with 10mm hexagonal spanner.

Unscrew the adjusting needle knob (25) fully in counter-clockwise rotation, push the needle from the front of the spay gun, carefully so to avoid damage the needle end, then pull out the needle (18) from the back.

If necessary, replace the needle and the tip, first screw the tip with its air separator ring (recommended torque between 9.5 to 12 Nm).

Use gun lube to lubricate all the surface of the needle which will be in contact with the packing and o ring. Slide the needle into the spray gun from the back.

Fit the needle springs with its plastic pad (22,23,24) and replace the needle adjusting knob (25).

PACKING SEAL (9)

Unscrew the air cap (1), tip (2) and its air separator ring (3).

Unscrew the 4 screws (6) to disassemble the gun head (8).

Push back the two packing seals (9) using a 5.5 mm diameter rod from the front of the gun head. Clean the packing location hole carefully with water or solvent compatible with material being sprayed.

Fit new packing seals (9) with "U" face towards the fluid passage.

REPLACEMENT OF PARTS (CONTINUED)

FAN & ATOM AIR VALVE (13)



Before assembling, check the air valve is in fully open position by unscrewing it counter-clockwise.

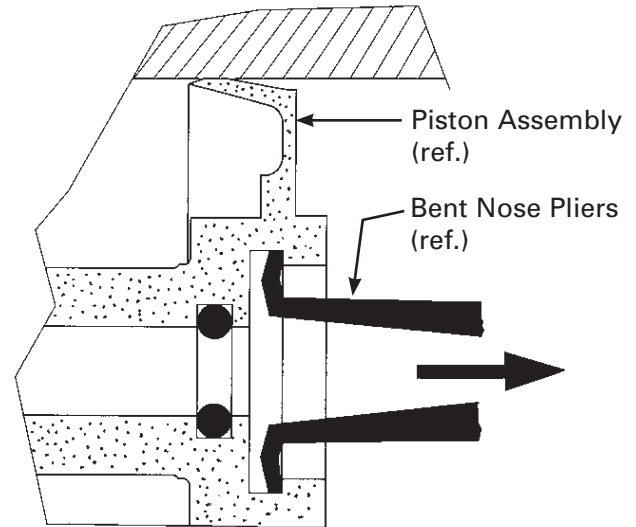
PISTON (15), O RING (16) & (14)

Unscrew the rear housing (19) at the back of the gun body counter clockwise, pull out the needle (18).

Use bent nose pliers so to pull out the piston which has a 12 mm internal groove for this purpose.

It is recommended to replace the o-ring (14) into the gun body as soon you disassemble the Piston.

If necessary, when replacing the piston, slightly lubricate the piston lip with petroleum jelly before fitting into the gun body.



DEVILBISS SPRAY GUN TECHNOLOGY—APPLICATION DETAILS

HVLP

Maintains Regulatory Compliance

The DeVilbiss "HVLP" Compact gun allows you to maintain EPA compliance and produce a superb finish.

Built to provide outstanding coating atomization, the "HVLP" Compact can handle all types of solvent and waterborne materials.

High performance is coupled with a gun body light in weight and designed for operator comfort to increase productivity.

TRANS-TECH

Maximum Efficiency with Environmental Responsibility

The DeVilbiss "Trans-Tech" Compact gun utilizes the very latest advances in computational fluid dynamics. This results in superior atomization with the new DeVilbiss **TRANSFER-TECHNOLOGY**.

Exceptionally efficient material transfer for optimum coverage and paint usage is achieved with reduced air consumption, lowering your electrical needs and energy costs.

Exceed your production requirements with the highest atomization levels at an accelerated application rate of up to 600cc/min.

CONVENTIONAL

Outperforms the Competition

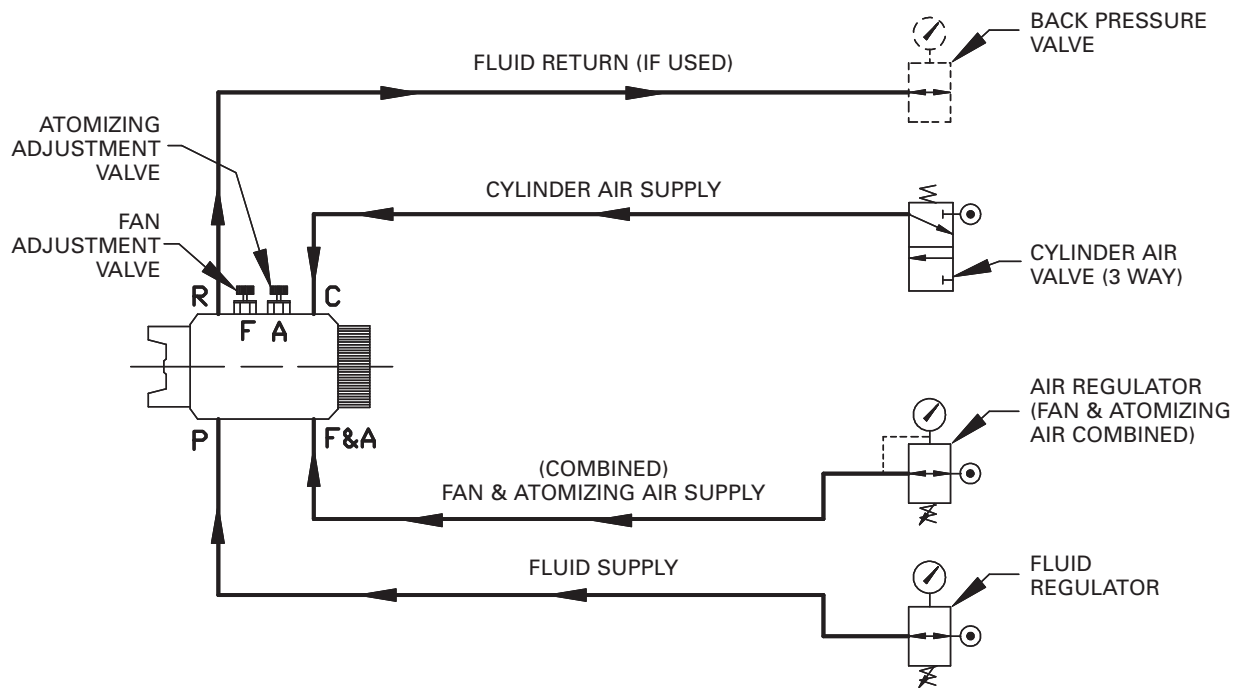
The DeVilbiss "Conventional" Compact is our Advanced Conventional gun and has a unique high capacity airflow with outstanding atomization to produce a superior result.

Compact's Advanced Conventional Air Caps make this gun the ideal performer in both small operations or high volume facilities, with the added bonus of instantly improved finishing productivity.

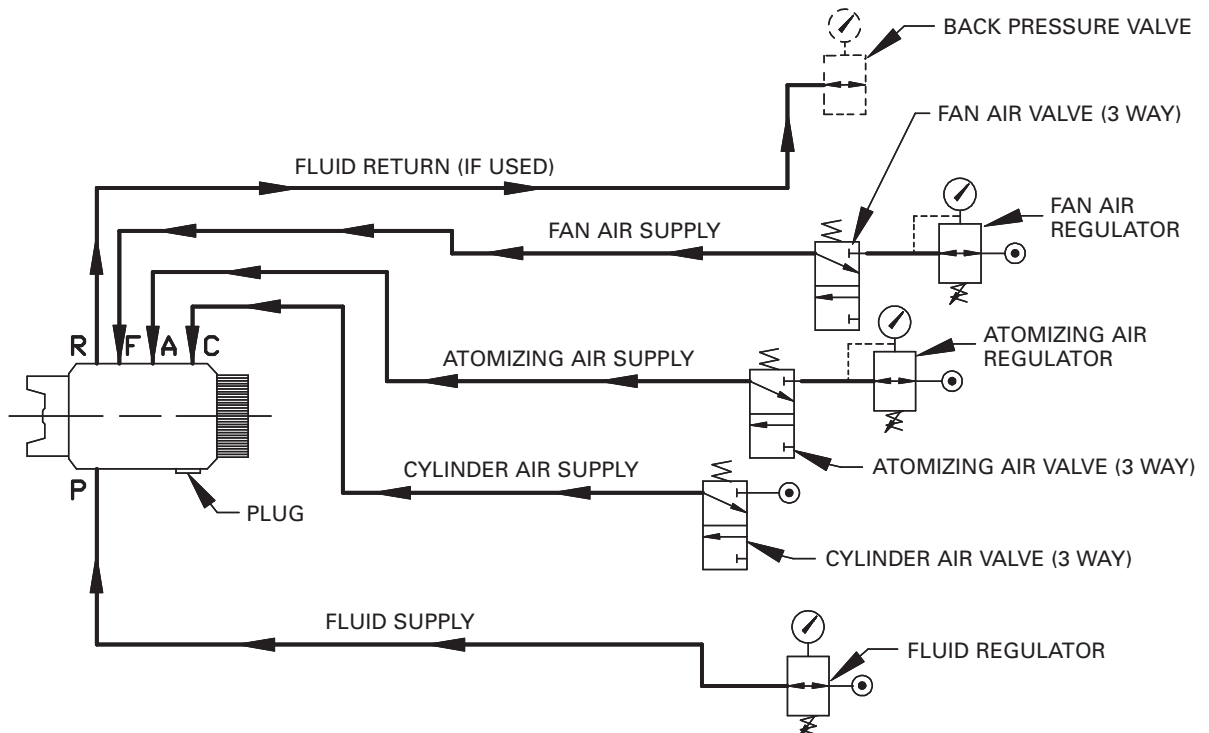
STANDARD SET-UPS AVAILABLE FOR COMPACT-I AUTOMATIC SPRAY GUN

PART NUMBER	DESCRIPTION
CMAI-G05	COMPACT AUTO-I .5 MM, NO AIR CAP
CMAI-G85	COMPACT AUTO-I .85 MM, NO AIR CAP
CMAI-10	COMPACT AUTO-I 1.0 MM, NO AIR CAP
CMAI-14	COMPACT AUTO-I 1.4 MM, NO AIR CAP
CMAI-14P	COMPACT AUTO-I 1.4 MM PLASTIC NEEDLE, NO AIR CAP
CMAI-18	COMPACT AUTO-I 1.8 MM, NO AIR CAP
NOTE: Air caps ordered separately. Refer to page 6 for air cap ordering information.	
COMPACT-I AUTOMATIC – HOSE FITTING KITS:	
6-530	FLUID / AIR / FITTING KIT (for combined or separate fan/atomization—Push-to-Lok Connections)
6-532	FLUID / AIR FITTING KIT (for combined or separate fan/atomization—NPS connections)

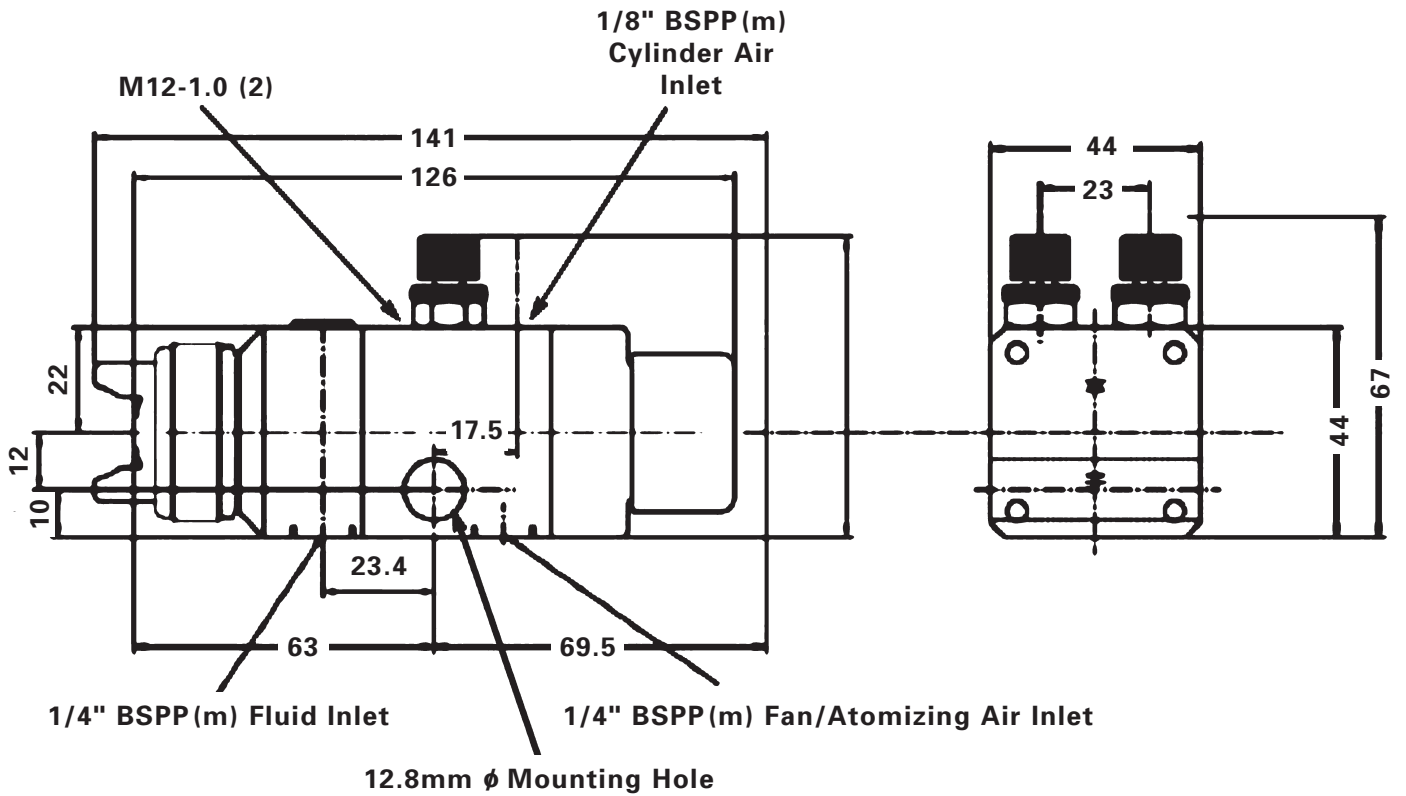
**COMBINED FAN & ATOMIZING AIR
(STANDARD GUN HOOK-UP)**



**SEPARATE FAN & ATOMIZING AIR
(OPTIONAL GUN HOOK-UP)**



INSTALLATION DIMENSIONS for COMPACT-I AUTOMATIC SPRAY GUN

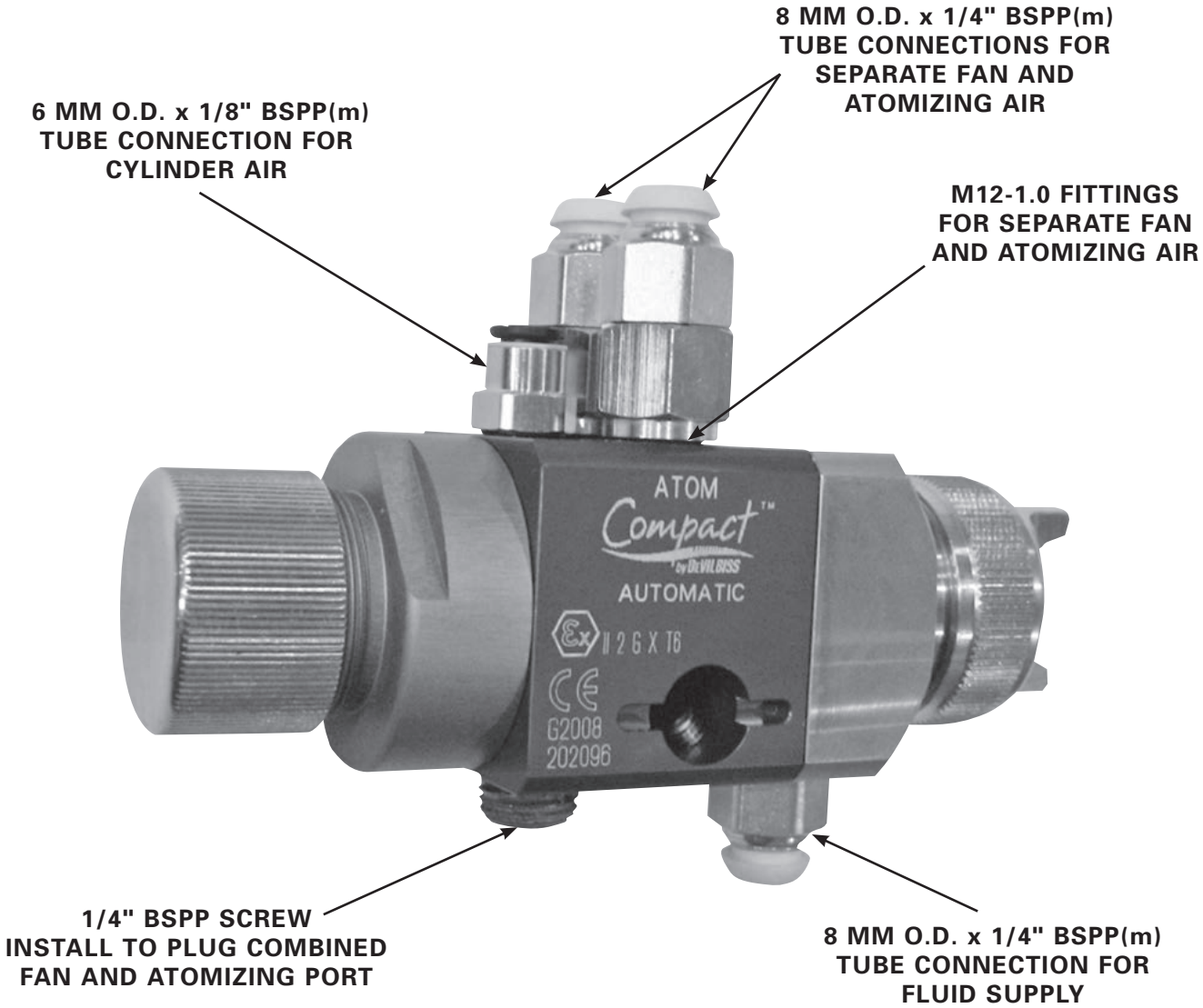


**DIMENSIONS IN MM
(MULTIPLY BY .03937 TO OBTAIN INCHES)**

BSPP = BRITISH STRAIGHT PIPE PARALLEL

6-530 FITTING KIT for COMPACT-I AUTOMATIC SPRAY GUN

**PUSH-TO-LOCK CONNECTIONS
SEPARATE FAN AND ATOMIZING AIR
6MM O.D. TUBE FOR CYLINDER AIR
8MM O.D. TUBE FOR FLUID, FAN AND ATOMIZING**



**FLUID AND FAN/ATOMIZING AIR PORTS ARE 1/4" BSPP(f) THREAD
CYLINDER AIR PORT IS 1/8" BSPP(f) THREAD**

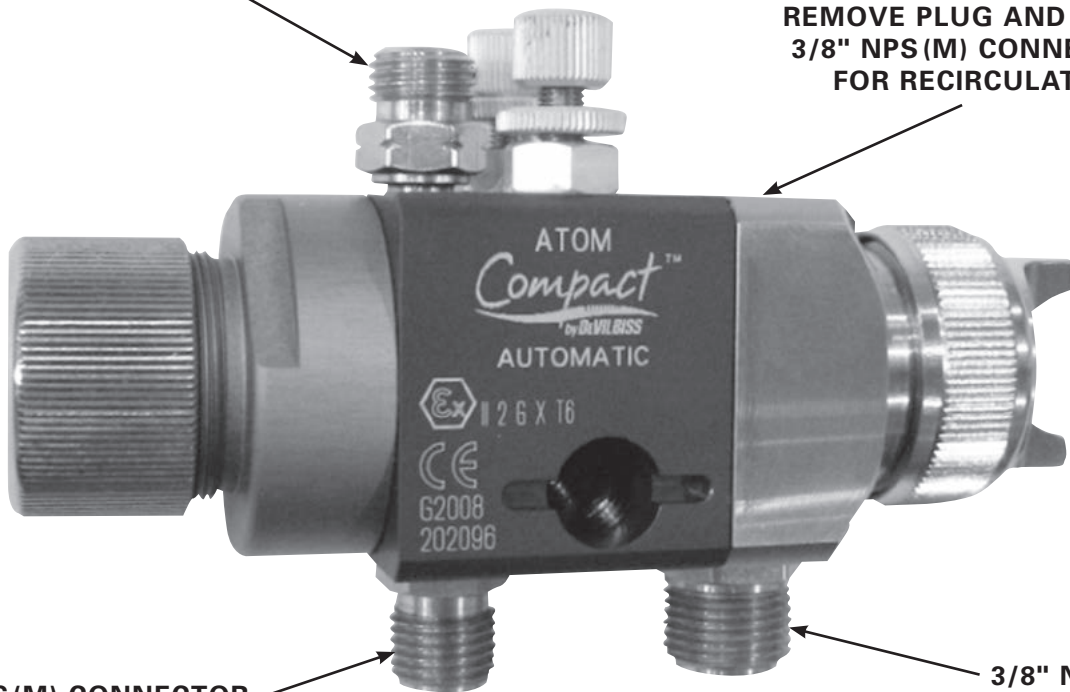
BSPP = BRITISH STRAIGHT PIPE PARALLEL

6-532 FITTING KIT for COMPACT-I AUTOMATIC SPRAY GUN

**NPS FITTINGS KIT
COMBINED FAN AND ATOMIZING AIR
1/4" NPS AIR AND 3/8" NPS FLUID FITTINGS**

**1/4" NPS (M) CONNECTOR FOR
CYLINDER AIR**

**REMOVE PLUG AND INSERT
3/8" NPS (M) CONNECTION
FOR RECIRCULATION**



**1/4" NPS (M) CONNECTOR
FOR COMBINED FAN AND
ATOMIZATION AIR**

**3/8" NPS (M)
CONNECTION
FOR FLUID SUPPLY**

**FLUID AND FAN/ATOMIZING AIR PORTS ARE 1/4" BSPP(f) THREAD
CYLINDER AIR PORT IS 1/8" BSPP(f) THREAD**

BSPP = BRITISH STRAIGHT PIPE PARALLEL

WARRANTY

This product is covered by DeVilbiss' 1 Year Limited Warranty.

DeVilbiss Sales and Service: www.devilbiss.com



U.S.A./Canada Customer Service
195 Internationale Blvd.
Glendale Heights, IL 60139
630-237-5000

Toll Free Customer Service
and Technical Support
800-992-4657
Toll Free Fax
888-246-5732

MANUAL DE OPERACIONES PISTOLA PULVERIZADORA AUTOMÁTICA COMPACT-I CONVENCIONAL, TEC-TRANS Y HVLP

Selección casquillo de aire determina tecnología de pulverizadora

English: Pages 1-14

Español: Páginas 15-28



Información para pedir piezas de reemplazo	VER PÁGINA 18
Explicación de Convencional, Tec-Trans y HVLP	VER PÁGINA 23
Información completa para pedir el conjunto de la pistola pulverizadora	VER PÁGINA 24
Detalles de la instalación	VER PÁGINAS 25, 26, 28, 29



Manual de Operaciones

Pistola pulverizadora automática Compact-I

Importante

Lea y siga todas las instrucciones y precauciones de seguridad antes de usar este equipo

CARACTERÍSTICAS

Esta pistola pulverizadora automática cumple con las regulaciones 94/9/CE de ATEX, nivel de protección II 2 G X, adecuada para uso en Zonas 1 y 2.

Esta pistola modelo Compact-I es una pistola pulverizadora de producción adecuada para uso con máquinas automáticas y semiautomáticas en aplicaciones convencionales, HVLP o de tecnología de transferencia. (para detalles de aplicaciones ver página 23).

Para funcionar con una amplia gama de materiales de recubrimiento los pasajes de material son fabricados

de acero inoxidable de alta calidad. Varias agujas están disponibles con puntas de plástico.

Están disponibles puntas hidráulicas y agujas en acero inoxidable de alta calidad.

El suministro de materiales alimentado a presión puede ser recirculatorio o directo.

La perilla de ajuste de la aguja tiene 18 posiciones de trinquete (por una revolución de la perilla) permite el control fino y preciso del caudal de flujo.

ESPECIFICACIONES Y MATERIALES DE CONSTRUCCIÓN

	Rosca	Presión
Entrada de fluido y recirculación "P" y "R"	1/4" BSPP(F)	Máx. 7 Bars (100 psi)
Entrada de aire (atomizador y ventilador) "A" y "F"	1/4" BSPP(F)	Máx. 7 Bars (100 psi)
Cilindro/disparador "Cyl"	1/8" BSPP(F)	de 4 a 7 Bars (60-100 psi)
Temperatura máxima en uso	40° C (104° F)	
Peso de la pistola pulverizadora	656 g (1.44 lbs)	
Cuerpo de la pistola	Aluminio duro anodizado	
Punta / aguja / boquilla pulverizadora	Acero inoxidable 303	



ADVERTENCIA PROP 65
 ADVERTENCIA: Este producto contiene sustancias químicas que según información en poder del estado de California producen cáncer, defectos de nacimiento y otros daños al sistema reproductor.

Declaración de conformidad de CE











Nosotros, **Finishing Brands UK, Ringwood Rd, Bournemouth, Dorset, BH11 9LH, UK**, como los fabricantes de la **Pistola pulverizadora modelo Compact-I**, declaramos, bajo nuestra sola responsabilidad que el equipo al que se relaciona este documento cumple con las siguientes normas u otros documentos normativos:

BS EN 292-1 PARTES 1 y 2: 1991, BS EN 1953: 1999; y por consiguiente cumple con los requisitos de protección de la Directiva del Consejo **98/37/CEE** relacionada con la **Directiva de Seguridad de Maquinarias**, y; **EN 13463-1:2001**, la Directiva del Consejo **94/9/CE** relacionada con **Equipos y Sistemas Protectores destinados para uso en Atmósferas Potencialmente Explosivas nivel de protección II 2 G X**.

D. Smith, Gerente General
 12 de febrero de 2014



ADVERTENCIAS DE SEGURIDAD

   	<p>INCENDIO Y EXPLOSIÓN</p> <p>Los disolventes y los materiales de recubrimiento pueden ser altamente inflamables o combustibles al ser rociados. Consulte SIEMPRE las instrucciones del proveedor del material de recubrimiento y la hoja de datos de seguridad de los materiales (MSDS) antes de usar este equipo.</p> <p>Los usuarios deben cumplir con todos los códigos locales y nacionales de práctica y los requisitos de la compañía aseguradora que rigen la ventilación, precauciones para casos de incendio, operación y limpieza de las áreas de trabajo.</p> <p>Este equipo, como se provee, <u>NO</u> es adecuado para uso con Hidrocarburos Halogenados.</p> <p>La electricidad estática puede ser generada por el fluido y/o el aire que pasa por las mangueras, por el proceso de rociado y limpiando con paños las partes no conductoras. Para prevenir la ignición por descargas estáticas, se debe mantener la continuidad de la conexión a tierra hacia la pistola pulverizadora y otros equipos metálicos utilizados. Es esencial utilizar aire conductor y/o mangueras de fluidos.</p>
    	<p>EQUIPO DE PROTECCIÓN PERSONAL</p> <p>Vapores tóxicos – <i>Al ser rociados, ciertos materiales pueden ser tóxicos, producir irritación o perjudicar la salud. Lea siempre todas las etiquetas, hojas de datos de seguridad y siga todas las recomendaciones para los materiales antes de rociar. Si tiene duda, póngase en contacto con su proveedor de materiales.</i></p> <p>Se recomienda usar todo el tiempo equipo de protección para la respiración. El tipo de equipo tiene que ser compatible con el material que está siendo rociado.</p> <p>Use siempre protección para los ojos al rociar o limpiar la pistola pulverizadora.</p> <p>Se deben usar guantes al rociar o limpiar el equipo.</p>
	<p>CAPACITACIÓN</p> <p>El personal tiene que recibir la capacitación adecuada en el uso sin riesgos del equipo pulverizador.</p>
	<p>USO INDEBIDO</p> <p>Nunca apunte la pistola pulverizadora a una parte del cuerpo.</p> <p>Nunca sobrepase la presión de trabajo segura máxima recomendada para el equipo.</p> <p>El uso de piezas de reemplazo no recomendadas o no originales puede resultar peligroso.</p> <p>Antes de limpiar o dar mantenimiento, se debe eliminar toda la presión del equipo.</p> <p>Las partes metálicas del producto se pueden limpiar usando una máquina para limpiar pistolas. Sin embargo, no se debe dejar este equipo dentro de máquinas para limpiar pistolas por períodos prolongados. Ciertos sellos y las juntas tóricas podrían no ser compatibles con el disolvente.</p>
	<p>NIVELES DE RUIDO</p> <p>El nivel de ruido con ponderación A de las pistolas pulverizadoras puede sobrepasar los 85 dB (A) dependiendo de la configuración que se esté usando. Los detalles de los niveles de ruido reales están disponibles previa solicitud. Se recomienda el uso de protección para los oídos siempre que se rocíe.</p>
	<p>OPERACIÓN</p> <p>Los equipos pulverizadores que usan presiones altas pueden generar fuerzas de reacción. Bajo ciertas circunstancias, tales fuerzas pueden producir lesiones repetitivas por tensión en el operador.</p>

LISTA DE PIEZAS

Para la disposición de las piezas, consulte la vista de componentes en la página 19.

Artículo	Descripción	Número de pieza	Cant.
1	Casquillo de aire y su anillo de retención con sellos. Ver tabla en la página 20.	SP-100-xxx-K	1
2	Punta con sello del separador de aire Ø 0.85 / 1.0 / 1.4 / 1.8 / 2.2 mm Ø 0.5 para el casquillo de aire 590 Casquillo de aire 591	SP-200S-xx-K SP-259S-xx-K	1
4	Anillo posicionador para el casquillo de aire indexado	SPA-112	1
5	Anillo separador de aire (kit de 5 anillos)	SPA-27-K5*	1
6	Tornillo M4 x 25 (kit de 4 tornillos Torx 20)	S-14192-K4*	4
8	Boquilla pulverizadora para el modelo Compact-I	SPA-40	1
9	Sello empaquetador (kit incluye los artículos 9▲, 10, 11, 16a)	SPK-115*	1
10	Arandela obturadora (kit incluye los artículos 9, 10, 11, 16a)	SPK-115*	1
11	Empaque para junta tórica (kit incluye los artículos 9, 10, 11■, 16a)	SPK-115*	2
12	Cuerpo de la pistola para el modelo Compact-I	SPA-1-CMAI-S	1
13	Válvula de aire (ventilador / atomizador)	AGG-403	2
14	Junta tórica (kit incluye los artículos 14, 15a, 16)	SPK-104*	1
15	Émbolo + junta tórica (kit incluye los artículos 14, 15a, 15b, 16)	SPA-6X-K*	1
15a	Junta tórica (kit incluye los artículos 14, 15a, 16)	SPK-104*	1
15b	Émbolo	REF.	1
16	Junta tórica (kit incluye los artículos 14, 15a, 16)	SPK-104*	1
16a	Junta tórica (kit incluye los artículos 9, 10, 11, 16a)	SPK-115*	1
17	Resorte del émbolo (kit incluye los artículos 17, 22, 23, 24)	SPK-105*	1
18	Aguja de acero inoxidable 0.5 / 0.85 / 1.0 / 1.4 / 1.8 / 2.2 Aguja de plástico 0.85 / 1.4 mm	SPA-310-xx SPA-310P-xx	1
19	Alojamiento	SPA-3	1
20	Kit de anillo y bola para el trinquete (kit incluye los artículos 20, 21, 25)	SPK-106*	1
21	Anillo (kit incluye los artículos 20, 21, 25)	SPK-106*	1
22	Resorte de la aguja (kit incluye los artículos 17, 22, 23, 24)	SPK-105*	1
23	Tapa de resorte (kit incluye los artículos 17, 22, 23, 24)	SPK-105*	1
24	Arandela de resorte (kit incluye los artículos 17, 22, 23, 24)	SPK-105*	1
25	Perilla de ajuste (kit incluye los artículos 20, 21, 25)	SPK-106*	1
27	Kit del conector de aire para control remoto (incluye los accesorios "A" y "F")	SPA-22-K2*	1
28	Barra de montaje de la pistola (kit incluye los artículos 28, 29, 31)	SPK-110*	1
29	Tuerca de la barra de montaje de la pistola (kit incluye los artículos 28, 29, 31)	SPK-110*	1
30	Tapón ¼" BSPP para la pistola pulverizadora sin recirculación de fluido	REF.	1
31	M5 tornillo con cabeza encastrada hexagonal, longitud 8 (kit incluye los artículos 28, 29, 31)	SPK-110*	2
32	Tapón de inserción de fluido	REF.	1
33	Kit de anillo de retención con empaque (kit incluye anillo de casquillo de aire y las empaques)	SPK-102-K*	1

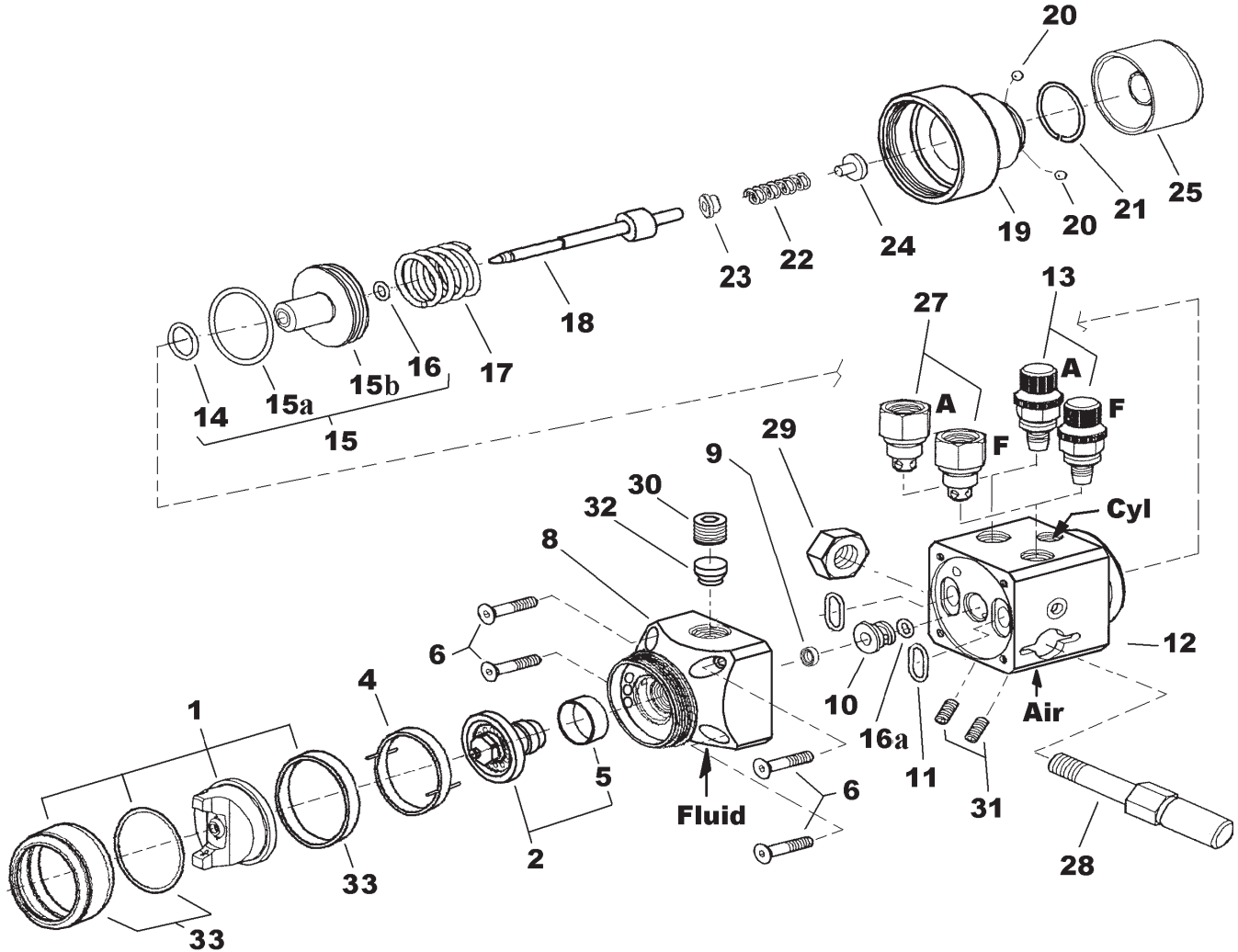
* Piezas de reemplazo—Se deben pedir como parte de los kits de reemplazo listados anteriormente.

▲ Artículo 9: Sello empaquetador sólo (paquete de 10) SPA-86-K10.

■ Artículo 11: Empaque para junta tórica sólo (paquete de 10) SPA-53-K10.

Ver kits de adaptadores/accesorios adicionales para mangueras de aire y fluido en la página 24.

PISTOLA PULVERIZADORA AUTOMÁTICA Compact-I



**PISTOLA AUTOMÁTICA COMPACT-I
EJEMPLO DE SISTEMA DE NUMERACIÓN DE PIEZAS**

CMAI-85P

CMAI	85	P
Pistola pulverizadora automática Compact-I	85 = 0.85 mm boquilla de fluido y aguja 00 = Sin boquilla hidráulica, Sin aguja	P = Aguja plástica - o ninguna letra = Aguja de acero inoxidable

NOTA: La llave Torx SPN-8 para el artículo 6 se envía con la pistola.

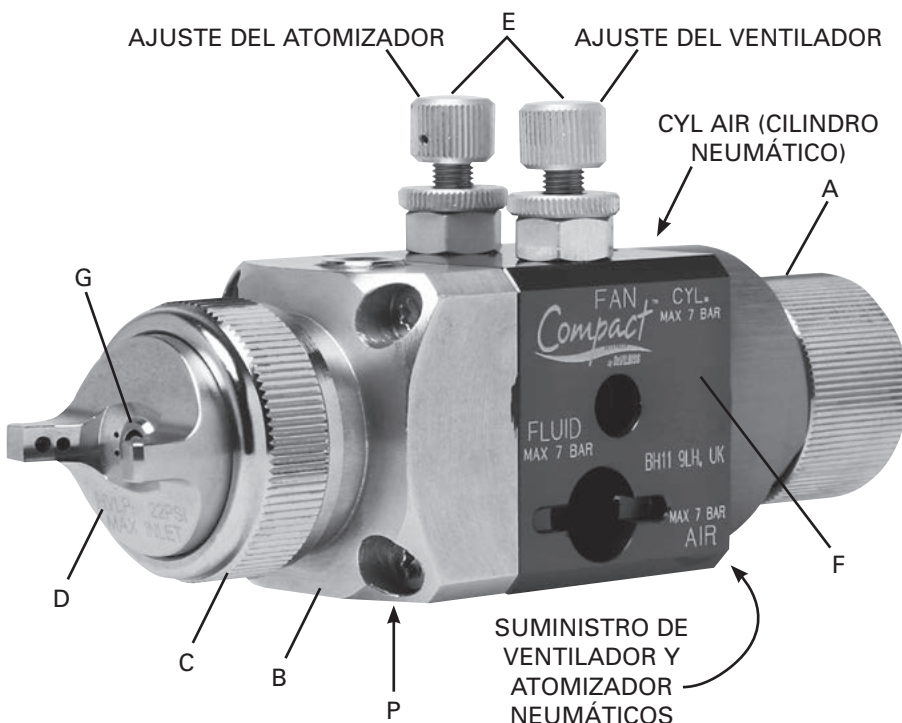
PISTOLA AUTOMÁTICA Compact-I — CASQUILLOS DE AIRE DISPONIBLES

Casquillo de aire	Tipo	Flujo de aire		Presión en la entrada		Caudal de fluido		Tamaño del patrón @ 8" de distancia	
		SCFM	l/min	psi	bar	oz/min	ml/min	pulg.	mm
SP-100-430-K	Convencional	12	340	50.7	3.5	6.7 - 9.5	200 - 280	7.9	200
SP-100-443-K	Convencional	12.2	345	43.5	3.0	6.7 - 10.1	200 - 300	11.8	300
SP-100-497-K	Convencional	18	510	50.7	3.5	6.7 - 20.2	200 - 600	15.0	380
SP-100-500R-K	Aerosol Ronda	6.8	200	16.0	1.1	.6 - 5.0	20-150	1.6	40
SP-100-506-K	H V L P	10.6	300	19	1.3	4.4 - 6.5	130 - 190	12	310
SP-100-507-K	H V L P	19	385	40	1.4	4.4 - 6.5	130 - 190	10.6	270
SP-100-508-K	H V L P	11	311	14	1.0	4.4 - 6.5	130 - 190	10	250
SP-100-510-K	Tec. de trans.	10	283	29	2.0	5.4 - 7.5	160 - 220	10.6	270
SP-100-513-K	Tec. de trans.	18.8	531	43.5	3.0	6.7 - 20.2	200 - 600	13.8	350
SP-100-522-K	Tec. de trans.	14.5	410	29	2.0	6.7 - 20.2	200 - 600	13.8	350
SP-100-590-K	Tec. de trans.	7.7	218	29	2.0	1.6 - 5.0	50 -150	6.0	150
SP-100-591-K	Tec. de trans.	12.3	350	29	2.0	1.7 - 5.1	50 -150	4.5	115
KK-5090-507	Kit de prueba para HVLP – incluye tapa, calibrador y tubo								

Existen otras pruebas de kits disponibles: KK-5090-430, KK-5090-443, KK-5090-497, KK-5090-506, KK-5090-507, KK-5090-508, KK-5090-510, KK-5090-513, KK-5090-522, KK-5090-590

PISTOLA AUTOMÁTICA Compact-I — COMBINACIONES DEL CASQUILLO DE AIRE

		CONVENCIONAL				HVLP			TECNOLOGÍA DE TRANSFERENCIA				
CASQUILLO DE AIRE MODELO NO.		430	443	497	500R	506	507	508	510	513	522	590	591
TAMAÑOS DE PUNTA HIDRÁULICA	.020" (0.5 mm)											X	X
	.033" (0.85 mm)				X		X		X	X	X		X
	.039" (1.0 mm)	X	X	X	X	X	X	X	X	X	X		
	.055" (1.4 mm)	X	X	X	X	X	X	X	X	X	X		
	.070" (1.8 mm)	X	X	X	X	X	X		X	X	X		
	.086" (2.2 mm)	X	X	X	X	X	X						



A	Perilla de ajuste del desplazamiento de la aguja – 18 posiciones por una vez
B	Cabeza de la pistola – acero inoxidable
C	Anillo del casquillo de aire
D	Casquillo de aire
E	Válvula de aire (ventilador / atomizador)
F	Cuerpo de la pistola pulverizadora – aluminio anodizado
P	Entrada de fluido – acero inoxidable
G	Punta hidráulica – acero inoxidable

INSTALACIÓN



Importante: Para asegurar que usted reciba este equipo en condiciones óptimas, se han usado recubrimientos protectores. Antes de usarlo, lave bien el equipo con el disolvente apropiado. Instale la pistola pulverizadora usando un vástago de montaje (ref.28) y ajústela con la tuerca (ref.29).

MANGUERAS DE AIRE Y LÍQUIDO

Ver las páginas 25, 26, 27 y 28 para los detalles de instalación.

Utilice suministros de aire regulados y filtrados separados para el atomizador y el cilindro neumáticos. Conecte el cilindro neumático 'CYL AIR' a la parte superior del cuerpo mediante una válvula de control. Para la operación rápida del cilindro, la válvula de control se debe colocar lo más cerca de la pistola posible o instalar en la línea una válvula de exhaustación rápida. Fije la manguera del atomizador neumático al orificio de entrada roscado 'VENTILADOR y ATOMIZADOR NEUMÁTICOS' debajo del cuerpo de la pistola.

Conecte la(s) manguera(s) del material 'P' a la boquilla pulverizadora. Si se requiere de recirculación del material, quite los tapones (30) y (32). Fije el conector estándar (¼" BSPP) a la boquilla pulverizadora.

Tamaño de la manguera recomendado hasta 34 pies (10 m) de longitud:

Atomización neumática = 0.315 pulg. (8 mm)

Cilindro neumático = 0.236 pulg. (6 mm)

Material = 0.315 pulg. (8 mm)



Importante: La pistola pulverizadora debe conectarse a tierra para disipar cualquier carga electrostática que pueda ser creada por caudales de fluido o flujos de aire. Esto se puede lograr mediante la montura de la pistola pulverizadora o las mangueras conductoras de aire/fluido. Se debe chequear la conexión eléctrica de la pistola pulverizadora a tierra con un ohmiómetro. Se recomienda una resistencia de menos de 10^6 .

MONTAJE

1. La válvula de aire del **ATOMIZADOR 'A'** controla la presión del atomizador neumático. La válvula del **VENTILADOR 'F'** reduce el tamaño del patrón de pulverización. Para aumentar la presión gírela en sentido horario, para reducirla, gírela en sentido antihorario.
2. El caudal de fluido se puede ajustar con la perilla trasera del trinquete, el caudal de fluido aumenta cuando usted gira la perilla en sentido antihorario.
3. Para la disposición de las piezas, consulte la vista de componentes en la página 19.

INICIO

1. Gire la perilla de ajuste de la aguja (25) en sentido horario hasta que la aguja se cierre completamente.
2. Gire las válvulas de aire (13) del **VENTILADOR 'F'** y del **ATOMIZADOR 'A'** en sentido antihorario para que se abran completamente.
3. Utilice la tabla del casquillo de aire anterior para fijar la presión de aire en el regulador de aire a fin de lograr la presión recomendada anteriormente.
4. Gire la perilla de ajuste (25) en sentido antihorario para obtener el caudal de fluido que desee.
5. Pruebe el pulverizador. Si el acabado es muy seco o fino, reduzca el flujo de aire reduciendo la presión de entrada de aire o atornillando la válvula del **ATOMIZADOR 'A'** (13) en sentido horario o aumente el caudal de fluido utilizando la perilla del trinquete, haciéndola girar en sentido antihorario.

INSTALACIÓN (CONTINÚA)

INICIO (continúa)

6. Si el acabado es muy húmedo, gire la perilla del trinquete (25) en sentido horario para reducir el caudal de fluido o reducir la presión del fluido. Si la atomización es muy gruesa, aumente la presión de aire de entrada o reduzca el caudal de fluido.
7. El tamaño del patrón se puede controlar girando la válvula de ajuste del **VENTILADOR 'F'** (13) en sentido horario.
8. El patrón de pulverización produce mejores resultados cuando es perpendicular al blanco.

9. La distancia de rociado recomendada es de 6" a 8" (150-220 mm).
10. Rocíe los bordes primero. Superponga cada golpe de rociado un 50% como mínimo. Mueva la pistola a velocidad constante.
11. Apague siempre el suministro de aire y fluido y reduzca la presión y limpie cuando la pistola no esté en uso.

MANTENIMIENTO

MANTENIMIENTO PREVENTIVO



Apague el suministro de aire y recubrimiento y reduzca la presión en las líneas de suministro o desconéctelo de la línea de aire o de la línea de fluido.

1. Quite el casquillo de aire (1) y limpie. Si cualquiera de los orificios en el casquillo está bloqueado con material de recubrimiento use un palillo de dientes para limpiarlo. Nunca use alambre metálico que pueda dañar el casquillo y distorsionar los patrones de pulverización
2. Asegúrese de que la boquilla de la punta hidráulica (2) esté limpia y sin daños. Cualquier acumulación de pintura seca puede distorsionar el patrón de pulverización.

REEMPLAZO DE PIEZAS



Apague el suministro de aire y recubrimiento y reduzca la presión en las líneas de suministro antes de iniciar cualquier operación de mantenimiento.

PUNTA (2) Y AGUJA (18)

Quite el casquillo de aire (1) destornillando su anillo de retención en sentido antihorario, quite el anillo indexado si permanece en la cabeza de la pistola (si está colocado y ha sido usado).

Quite la punta (2) y su anillo separador de aire (3) destornillándolos en sentido antihorario con una llave hexagonal de 10 mm.

Destornille la perilla de ajuste de la aguja (25) girándola completamente en sentido antihorario, empuje la aguja desde la parte delantera de la pistola pulverizadora, con cuidado para no dañar el extremo de la aguja, luego saque la aguja (18) desde la parte trasera.

Si fuese necesario, vuelva a colocar la aguja y la punta, primero atornille la punta con su anillo separador de aire (par de torsión recomendado entre 9.5 y 12 Nm).

Use pistola lubricante para lubricar todas las superficies de la aguja que estarán en contacto con el empaque y la junta tórica. Deslice la aguja en la pistola pulverizadora desde la parte trasera.

Fije los resortes de la aguja en su atenuador plástico correspondiente (22, 23, 24) y vuelva a colocar la perilla de ajuste de la aguja (25).

SELLO EMPAQUETADOR (9)

Destornille el casquillo de aire (1), la punta (2) y su anillo separador de aire (3).

Destornille los 4 tornillos (6) para desmontar la cabeza de la pistola (8).

Empuje hacia atrás los dos sellos empaquetadores (9) utilizando una varilla de 5.5 mm. de diámetro desde la parte delantera de la cabeza de la pistola. Limpie el orificio de localización del empaque cuidadosamente con agua o disolvente compatible con material pulverizada.

Instale los sellos empaquetadores (9) con su lado en "U" orientado hacia el pasaje del fluido.

REEMPLAZO DE PIEZAS (CONTINÚA)

VÁLVULA DE AIRE DEL VENTILADOR Y ATOMIZADOR (13)



Antes de ensamblar, revise si la válvula de aire se encuentra completamente abierta destornillándola en sentido antihorario.

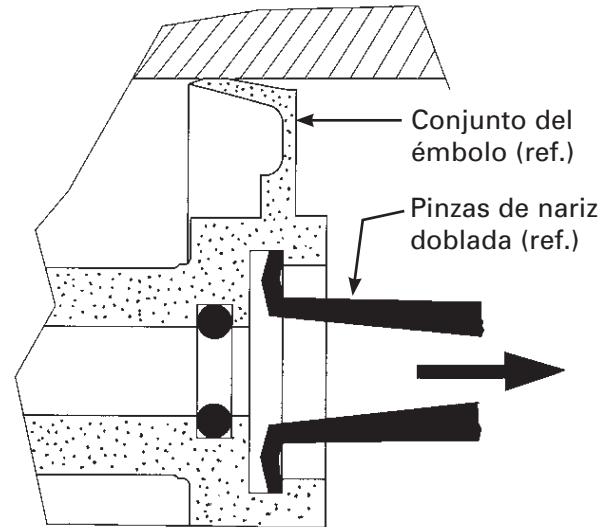
ÉMBOLO (15), JUNTA TÓRICA (16) Y (14)

Destornille el alojamiento trasero (19) en la parte trasera del cuerpo de la pistola en sentido antihorario, saque la aguja (18).

Utilice pinzas de nariz doblada para extraer el émbolo que tiene una muesca interna de 12 mm para este fin.

Se recomienda volver a instalar la junta tórica (14) en el cuerpo de la pistola tan pronto usted desmonte el émbolo.

Si fuese necesario, al volver a colocar el émbolo, lubrique ligeramente el borde del émbolo con vaselina antes de instalarlo en el cuerpo de la pistola.



TECNOLOGÍA DE LA PISTOLA PULVERIZADORA DE DEVILBISS—DETALLES DE APLICACIÓN

HVLP

Mantiene el cumplimiento reglamentario

La pistola Compact "HVLP" de DeVilbiss le permite mantener el cumplimiento con las normas de EPA y producir un acabado soberbio.

Diseñada para proporcionar una atomización de recubrimiento excepcional, la pistola Compact "HVLP" puede usarse con todos los tipos de disolventes y materiales hidrotransportados.

El rendimiento superior de la pistola se combina con un cuerpo liviano, diseñado para dar comodidad al operador y aumentar la productividad.

TECNOLOGÍA DE TRANSFERENCIA

Máxima eficiencia con responsabilidad ambiental

La pistola Compact "Tecnología de Transferencia" de DeVilbiss utiliza los avances más recientes en dinámica computacional de fluidos. El resultado es una atomización superior con la nueva **TECNOLOGÍA DE TRANSFERENCIA** de DeVilbiss.

Transferencia de material excepcionalmente eficiente para cobertura y uso de pintura óptimos se logra con un consumo de aire reducido, reduciendo sus necesidades de electricidad y costos de energía eléctrica.

Supera sus requisitos de producción con los niveles más altos de atomización a un ritmo acelerado de aplicación de hasta de 600cc/min.

CONVENCIONAL

Supera en rendimiento a la competencia

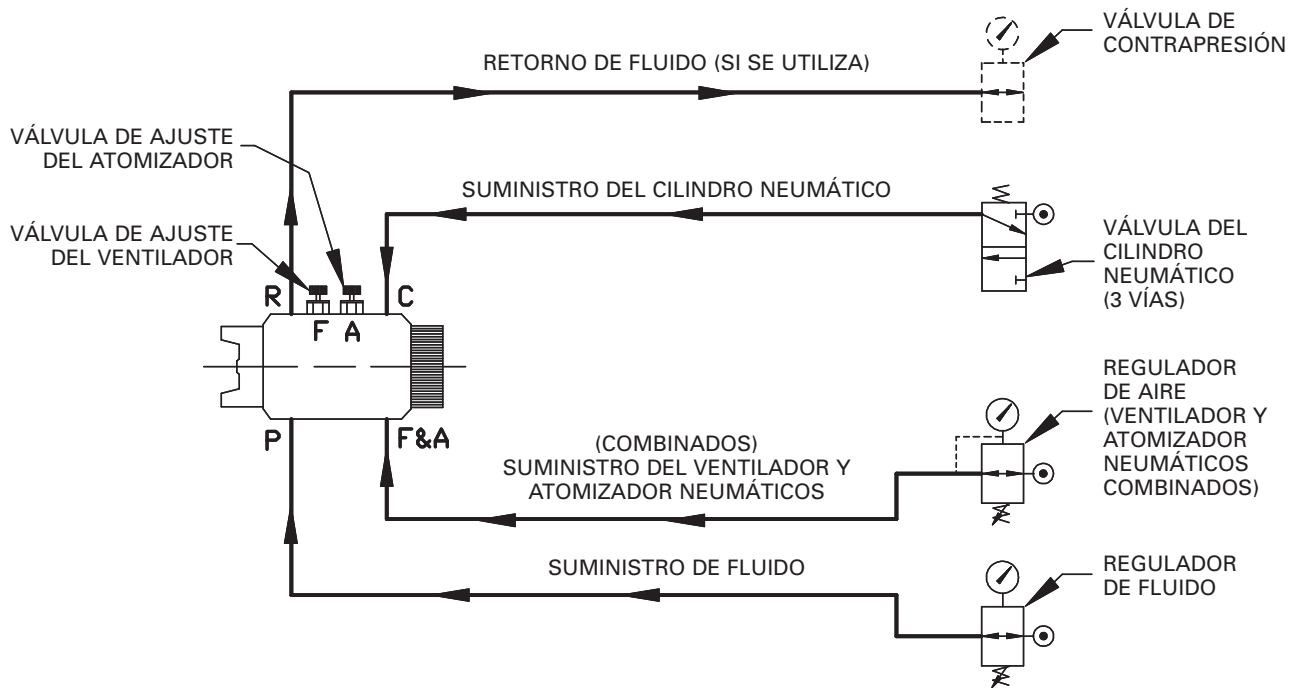
La pistola Compact "convencional" de DeVilbiss es nuestra pistola convencional avanzada y tiene un flujo de aire único de alta capacidad con atomización excepcional para producir resultados superiores.

Los casquillos de aire convencionales avanzados de la pistola Compact permiten un rendimiento ideal de esta pistola en operaciones tanto pequeñas como en instalaciones de gran volumen, con la bonificación adicional de una mejora instantánea de la productividad de los acabados.

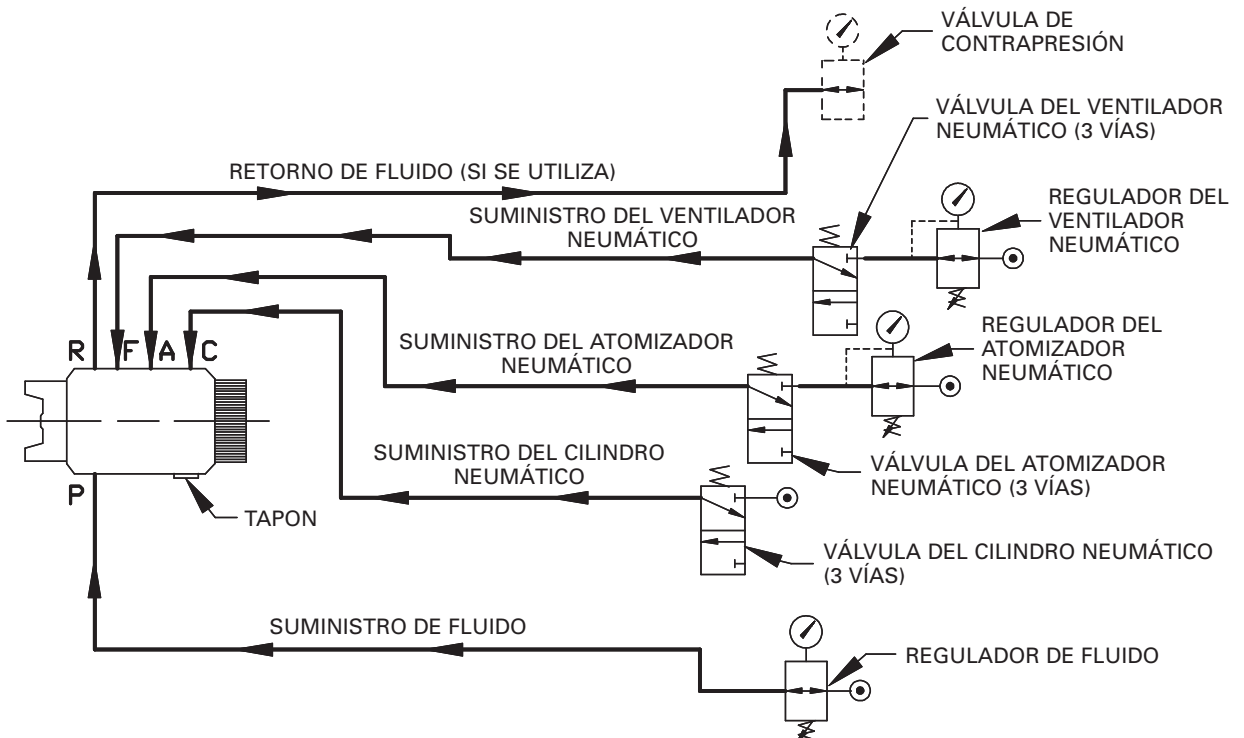
CONFIGURACIONES ESTÁNDARES DISPONIBLES PARA LA PISTOLA PULVERIZADORA AUTOMÁTICA COMPACT-I

NÚMERO DE PIEZA	DESCRIPCIÓN
CMAI-G05	PISTOLA AUTOMÁTICA COMPACT-I .5 MM, SIN CASQUILLO DE AIRE
CMAI-G85	PISTOLA AUTOMÁTICA COMPACT-I 0.85 MM, SIN CASQUILLO DE AIRE
CMAI-10	PISTOLA AUTOMÁTICA COMPACT-I 1.0 MM, SIN CASQUILLO DE AIRE
CMAI-14	PISTOLA AUTOMÁTICA COMPACT-I 1.4 MM, SIN CASQUILLO DE AIRE
CMAI-14P	PISTOLA AUTOMÁTICA COMPACT-I 1.4 MM AGUJA PLÁSTICA, SIN CASQUILLO DE AIRE
CMAI-18	PISTOLA AUTOMÁTICA COMPACT-I 1.8 MM, SIN CASQUILLO DE AIRE
NOTA: Casquillo de aire pedir por separado. Información para pedir el casquillo de aire en la página 20.	
PISTOLA AUTOMÁTICA COMPACT-I – KITS DE ACCESORIOS DE MANGUERA:	
6-530	KIT DE ACCESORIOS DE FLUIDO / AIRE (combinadas o por separado ventilador/atomización— Conexiones pulsar para-bloqueo)
6-532	KIT DE ACCESORIOS DE FLUIDO / AIRE (combinadas o por separado ventilador/atomización—conexiones NPS)

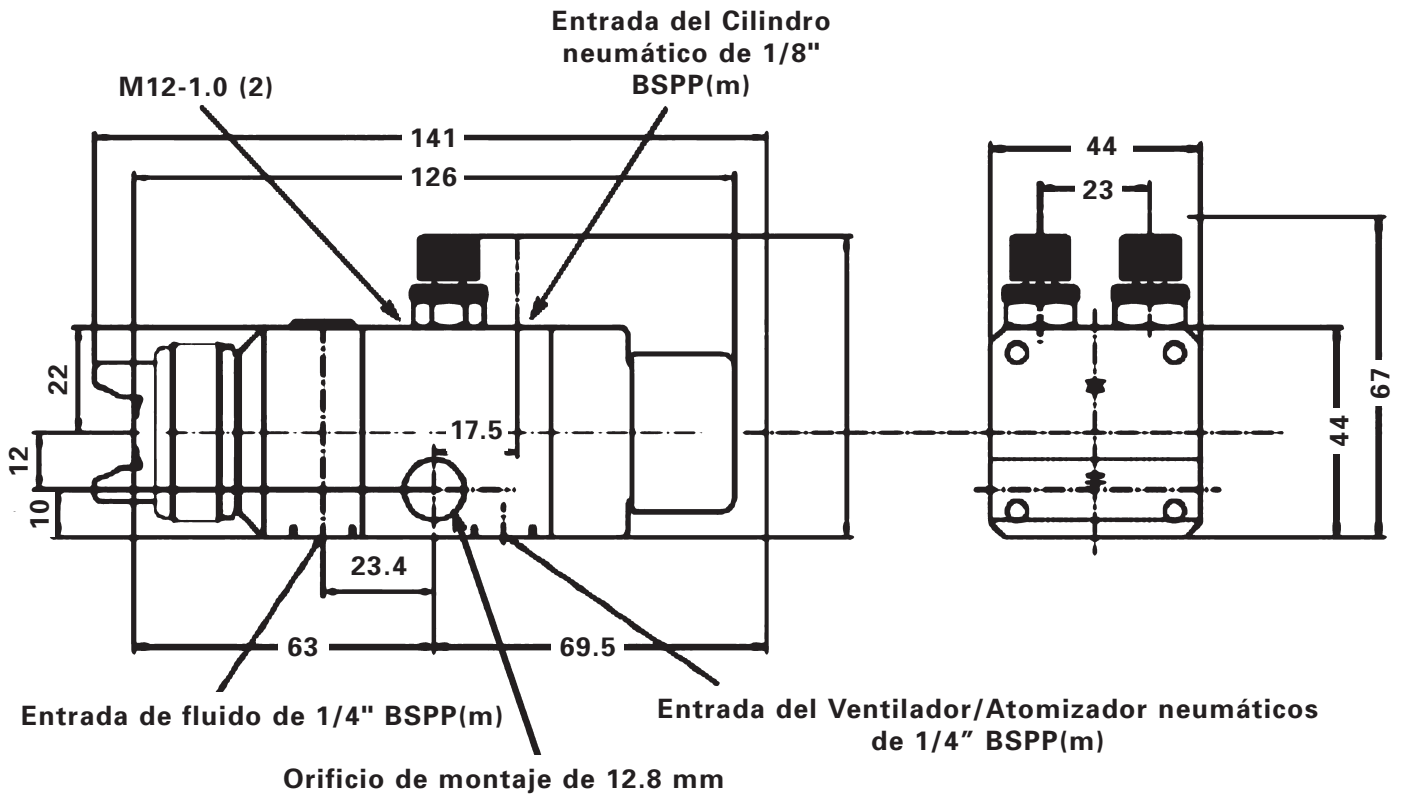
**VENTILADOR Y ATOMIZADOR NEUMÁTICOS COMBINADOS
(ENGANCHE ESTÁNDAR DE LA PISTOLA)**



**VENTILADOR Y ATOMIZADOR NEUMÁTICOS SEPARADOS
(ENGANCHE OPCIONAL)**



DIMENSIONES DE INSTALACIÓN para PISTOLA PULVERIZADORA AUTOMÁTICA COMPACT-I



NOTAS:

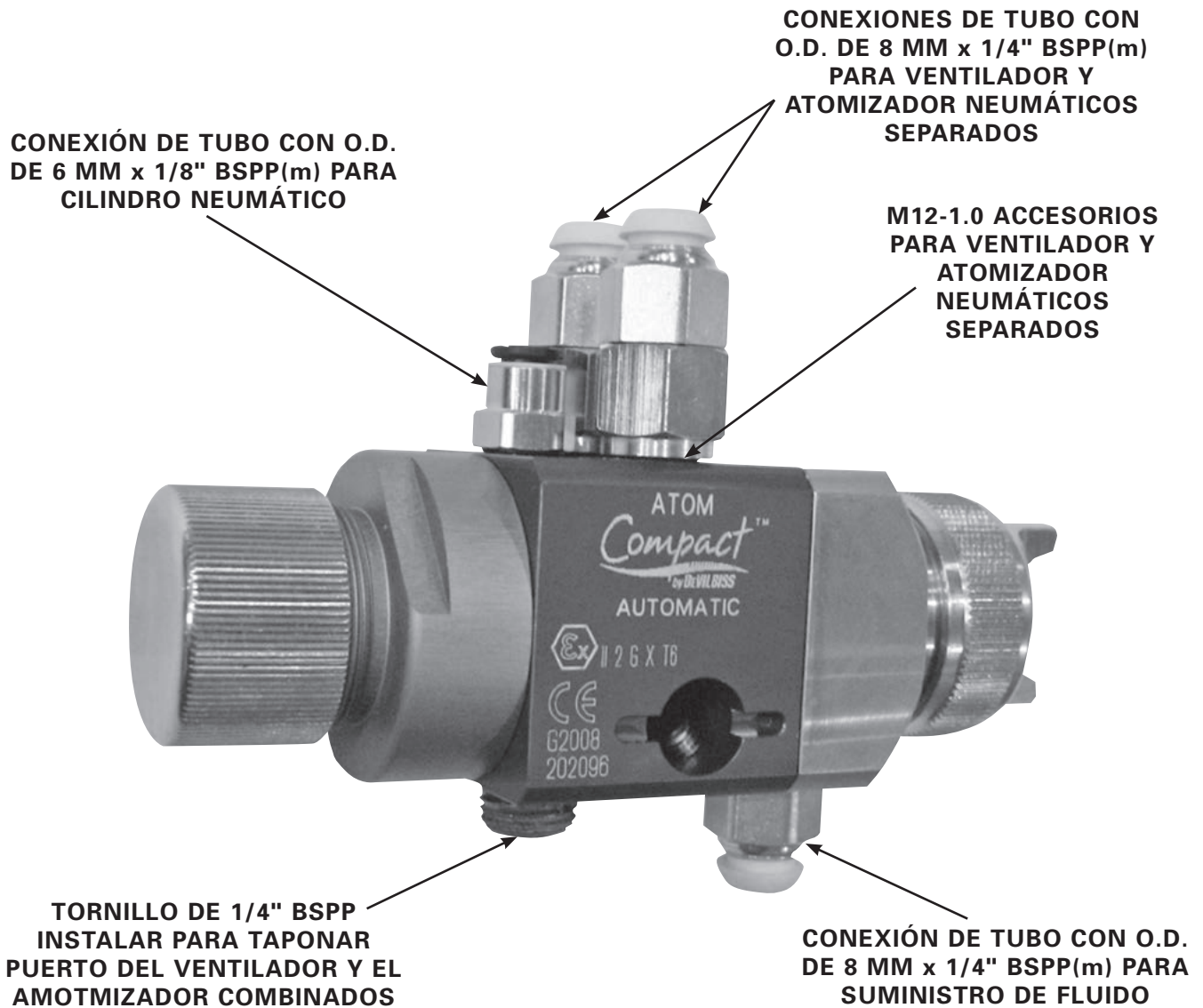
(m) = conexión macho

**DIMENSIONES EN MM
(MULTIPLICAR POR .03937 PARA OBTENER PULGADAS)**

BSPP = BRITISH STRAIGHT PIPE PARALLEL (TUBO RECTO BRITÁNICO PARALELO)

6-530 KIT DE ACCESORIOS PARA PISTOLA PULVERIZADORA AUTOMÁTICA COMPACT-I

**CONEXIONES DE OPRIMIR Y TRABAR
VENTILADOR Y ATOMIZADOR NEUMÁTICOS SEPARADOS
TUBO CON O.D. DE 6 MM PARA CILINDRO NEUMÁTICO
TUBO CON O.D. DE 8MM PARA FLUIDO, VENTILADOR Y ATOMIZADOR**



NOTAS:

O.D. = Diámetro exterior (m) = conexión macho (h) = conexión hembra

**LOS PUERTOS PARA FLUIDO Y VENTILADOR/ATOMIZADOR NEUMÁTICOS TIENEN ROSCA DE 1/4" BSPP(h)
EL PUERTO DEL CILINDRO NEUMÁTICO TIENE ROSCA DE 1/8" BSPP(h)**

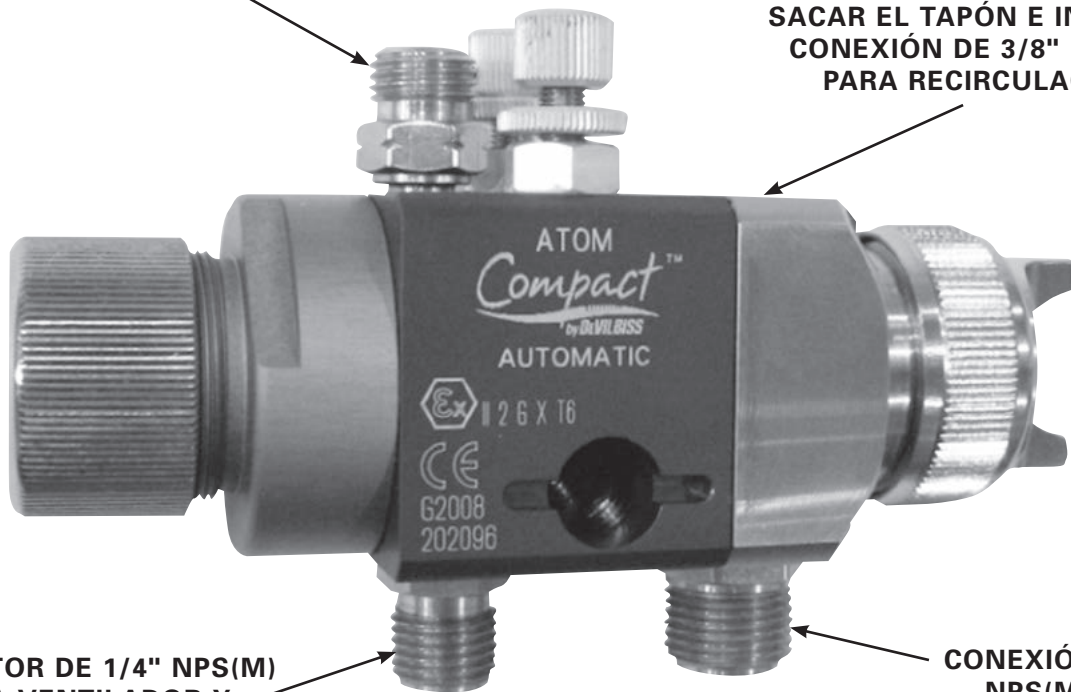
BSPP = BRITISH STRAIGHT PIPE PARALLEL (TUBO RECTO BRITÁNICO PARALELO)

6-532 KIT DE ACCESORIOS para PISTOLA PULVERIZADORA AUTOMÁTICA COMPACT-I

**KIT DE ACCESORIOS NPS
VENTILADOR Y ATOMIZADOR NEUMÁTICOS COMBINADOS
ACCESORIOS DE AIRE DE 1/4" NPS Y DE FLUIDO DE 3/8" NPS**

**CONECTOR DE 1/4" NPS(M)
PARA CILINDRO NEUMÁTICO**

**SACAR EL TAPÓN E INSERTAR
CONEXIÓN DE 3/8" NPS(M)
PARA RECIRCULACIÓN**



**CONECTOR DE 1/4" NPS(M)
PARA VENTILADOR Y
ATOMIZADOR NEUMÁTICOS
COMBINADOS**

**CONEXIÓN DE 3/8"
NPS(M) PARA
SUMINISTRO DE
FLUIDO**

**LOS PUERTOS PARA FLUIDO Y VENTILADOR/ATOMIZADOR NEUMÁTICOS TIENEN ROSCA DE 1/4" BSPP(h)
EL PUERTO DEL CILINDRO NEUMÁTICO TIENE ROSCA DE 1/8" BSPP(f)**

BSPP = BRITISH STRAIGHT PIPE PARALLEL (TUBO RECTO BRITÁNICO PARALELO)

GARANTÍA

Este producto está cubierto por la garantía limitada de un año de DeVilbiss.

Centros de venta y servicios de DeVilbiss: www.devilbiss.com

DEVILBISS

Servicio al cliente para EE.UU / Canadá
195 Internationale Blvd.
Glendale Heights, IL 60139
630-237-5000

Teléfono gratuito de servicio al cliente
y servicio técnico
800-992-4657

Fax gratuito
888-246-5732

CET

DISTRIBUTED BY COATING EQUIPMENT TECHNOLOGY, INC