

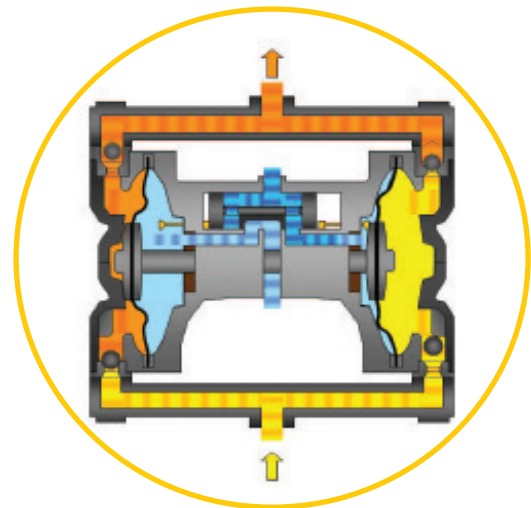
## Double Diaphragm Pumps



The ZIP 52 pneumatic double diaphragm pumps are designed with a reduction in air consumption coupled with better performance and maximum reliability. The exclusive design enables its use for corrosive, abrasive and highly viscous liquid media. ZIP pumps cover a broad application spectrum, including the feeding of paint supply systems; the feeding and circulation of printing ink, solvents, paints, chemicals, and oils; the disposal of liquid waste; the supply of flow viscosity adhesives; and filling/emptying of tanks, drums and containers. These pumps are offered in aluminum and stainless steel with a volumetric flow of 13.7 gal/min and 1/2" material inlet/outlet size for an extended range of materials.

### High efficiency and performance

- The optimized design with less dead space enables rapid color change and cleaning, and a reduction in the amount of solvent required
- The air motor ensures highest performance with reduced air consumption; requires no additional lubrication and suffers from no freezing problems
- Different pump configurations and a comprehensive product palette guarantee a wide range of possible applications



### Designed for versatility in application

- The ZIP 52 double diaphragm pumps are available in stainless steel and aluminum models to fit any type of application needs for material supply

Two coupled diaphragms are moving from the left to the right and back by help of pressurized air. The steering valve guides the air to the side where the diaphragm is moved to contract the fluid chamber. Material is transported by contraction and expansion of the fluid chamber volume through the inlet and outlet valves.

Technical Data	ZIP 52
Pressure ratio	1:1
Material pressure	116 PSI (7.8 bar)
Material inlet/outlet	BSP 1/2"
Volumetric flow with free drainage	13.7 gal/min 1.8 cfm
Sound level at max. flow rate and a feed pressure of 116 PSI	85 dB (A)



**ZIP 52**

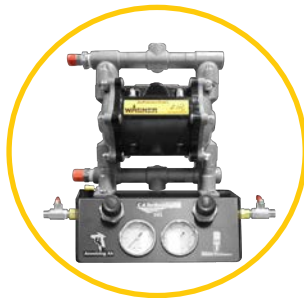
# Double Diaphragm Pumps



ZIP 52 Configurations		
Mount Style	Part Number	Description
Bare Aluminum	U550.ATSS7	Bare aluminum ZIP 52 pump
Bare Stainless Steel	U550.STSS7	Bare stainless steel ZIP 52 pump
Cart Mount	ZIP-C5.U550.ATSS7	Cart mounted ZIP 52 (aluminum) with 5 gallon siphon
	ZIP-C55.U550.ATSS7	Cart mounted ZIP 52 (aluminum) with 55 gallon siphon
	ZIP-C5.U550.STSS7	Cart mounted ZIP 52 (stainless steel) with 5 gallon siphon
	ZIP-C55.U550.STSS7	Cart mounted ZIP 52 (stainless steel) with 55 gallon siphon
Wall Mount	ZIP-W5.U550.ATSS7	Wall mounted ZIP 52 (aluminum) with 5 gallon siphon
	ZIP-W55.U550.ATSS7	Wall mounted ZIP 52 (aluminum) with 55 gallon siphon
	ZIP-W5.U550.STSS7	Wall mounted ZIP 52 (stainless steel) with 5 gallon siphon
	ZIP-W55.U550.STSS7	Wall mounted ZIP 52 (stainless steel) with 55 gallon siphon
5 Gallon Pail Mount	ZIP-P5.U550.ATSS7	Pail cover mounted ZIP 52 (aluminum)
	ZIP-P5A.U550.ATSS7	Pail cover mounted ZIP 52 with agitator (aluminum)
	ZIP-P5.U550.STSS7	Pail cover mounted ZIP 52 (stainless steel)
	ZIP-P5A.U550.STSS7	Pail cover mounted ZIP 52 with agitator (stainless steel)
55 Gallon Drum Mount	ZIP-DR55.U550.ATSS7	Drum cover mounted ZIP 52 (aluminum)
	ZIP-DR55A.U550.ATSS7	Drum cover mounted ZIP 52 with agitator (aluminum)
	ZIP-DR55.U550.STSS7	Drum cover mounted ZIP 52 (stainless steel)
	ZIP-DR55A.U550.STSS7	Drum cover mounted ZIP 52 with agitator (stainless steel)



Cart Mount



Wall Mount



5 Gallon Pail Mount



55 Gallon Drum Mount



**WAGNER Systems Inc.**

**Powder Division**

1770 Fernbrook Lane  
 Plymouth, MN 55447  
 T 800.473.2524  
 F 630.503.2377

**Liquid Division**

337 South Arthur Ave  
 Louisville, CO 80027  
 T 888.820.4498  
 F 303.438.5708

[www.wagnersystemsinc.com](http://www.wagnersystemsinc.com)



DISTRIBUTED BY COATING EQUIPMENT TECHNOLOGY, INC.  
 store.cetinc.com • (586) 210-0555

