

PEM-X1 CG

Assembly manual

1L powder cup

1 SAFETY INSTRUCTIONS

DANGER

Incorrect maintenance/repair!

Danger to life and equipment damage.

- Only a WAGNER service center or a suitably trained person may carry out repairs and replace parts.
- Only repair and replace parts that are listed in the "Spare parts" chapter and that are assigned to the unit.
- Before all work on the device and in the event of work interruptions:
 - Switch off the energy and compressed air supply.
 - Relieve spray gun and device pressure.
 - Secure the spray gun against actuation.
- Observe the operating and service manual for all work.



This assembly manual only contains information about

– 1L powder cup

- Further information is contained in the respective operating manual (chapter 2), such as information related to operation, repair and maintenance of the PEM-X1 CG powder cup gun and the system's safety notices.

This equipment can be dangerous if it is not operated in accordance with the operating manuals.

Compliance with these manuals constitutes an integral component of the warranty agreement.

2 OPERATING MANUALS

Operating Manuals

PEM-X1 CG	
Language	Order no.
German	2326959
English	2326960
French	2326961
Italian	2326962
Spanish	2326963

PEM-X1 CG	
Language	Order no.
Russian	2333347
Chinese	2333348

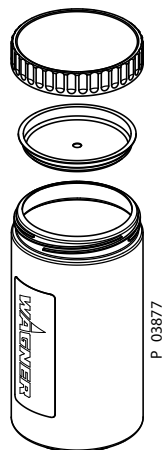
Additional languages on request or at: www.wagner-group.com

3 FUNCTIONAL DESCRIPTION

The 1L powder cup serves either as a storage container for small amounts or as an extension of the cup gun's existing powder cup.

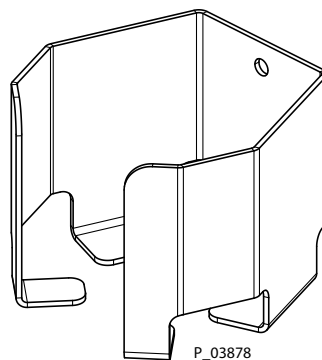
4 INCLUDED ITEMS

4.1 VARIANTS



Designation	Order no.
1 x cup with cover	2399466
5 x cup with cover	2399467
10 x cup with cover	2399468
50 x cup with cover	2399469

4.2 ACCESSORIES



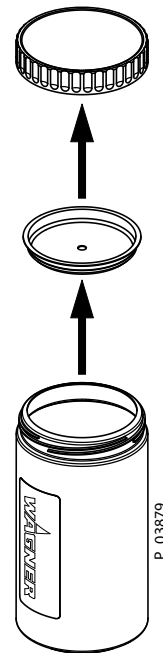
Designation	Order no.
Cup holder for PEM-X1 CG 1L cup	2399470



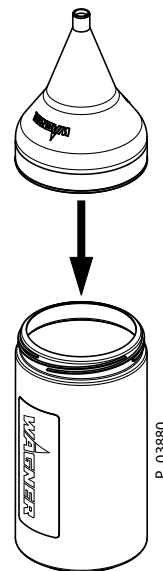
5 ASSEMBLING THE POWDER CUP

5.1 ASSEMBLY

1. Unscrew the cover of the tank and remove the inner seal.

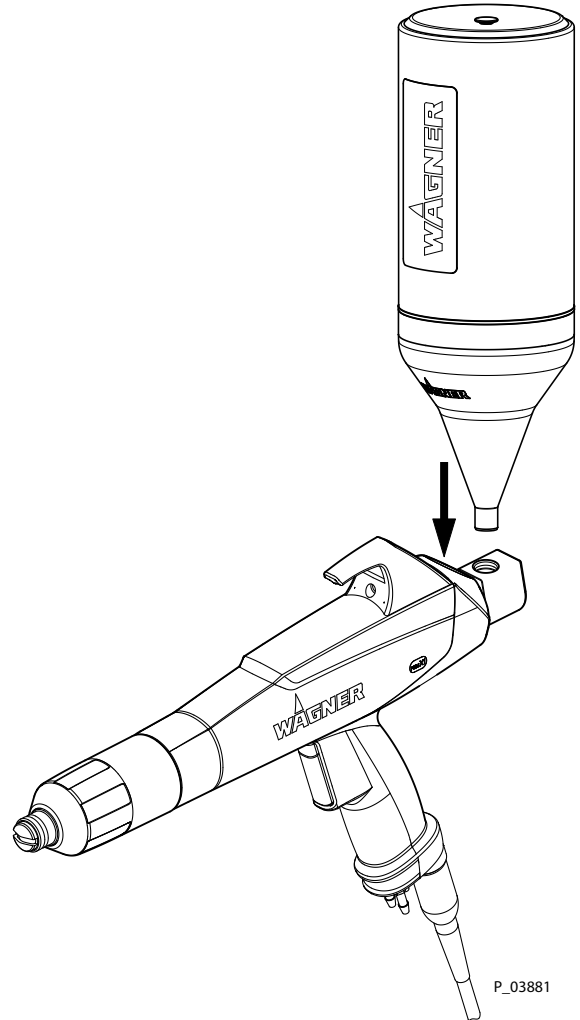


2. Push the funnel attachment up to stop on the powder container.



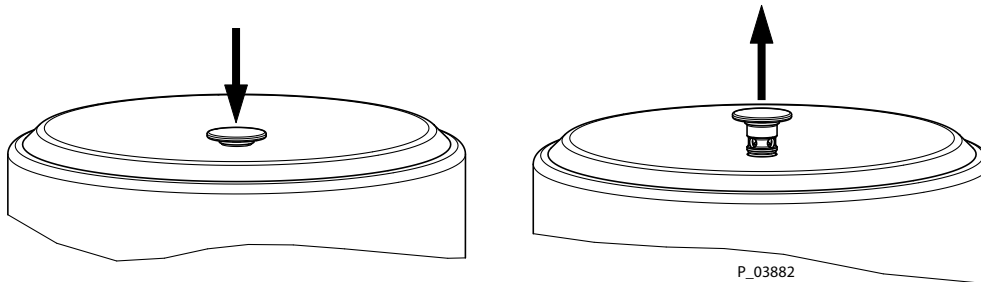


3. Insert the powder cup up to stop in the opening on the powder gun.



5.2 HOW TO USE THE POWDER CUP

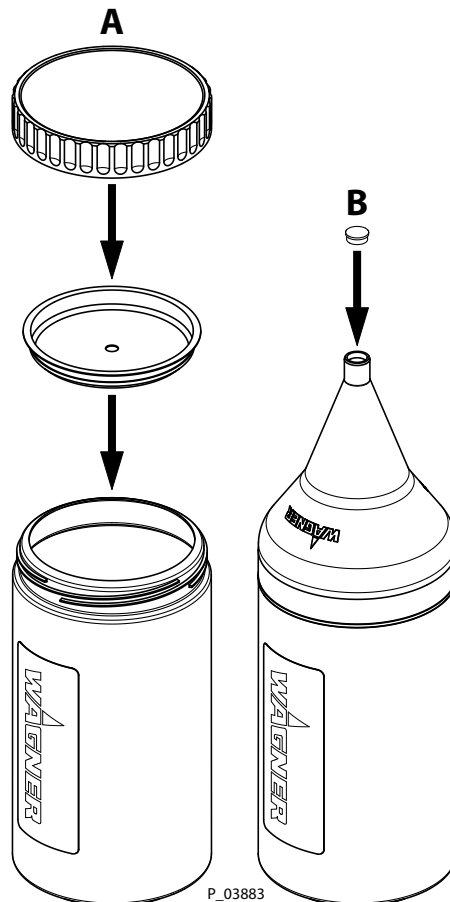
To coat, the flip-flop latch must be open. It can be opened by pulling up the toggle. For storage, the flip-flop latch must be closed. It can be closed by pushing the toggle downwards.



5.3 STORING THE POWDER CUP

There are two storage possibilities:

- Remove the powder funnel from the powder cup. Place the inner seal on the powder container and screw on the cover.
- Put the small cover on the powder funnel.





More contact addresses:
www.wagner-group.com

Subject to changes without notice

Order no. 2399727

Germany

J. WAGNER GmbH
Otto-Lilienthal-Str. 18
Postfach 1120

D- 88677 Markdorf

Phone +49/ (0)7544 / 5050

Telefax +49/ (0)7544 / 505200

E-mail ts-powder@wagner-group.com

Switzerland

Wagner International AG
Industriestrasse 22

CH- 9450 Altstätten

Phone +41/ (0)71 / 757 2211

Telefax +41/ (0)71 / 757 2222