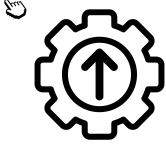


CLICK PART NUMBERS TO ORDER



CET "INTERACTIVE" MANUAL



DISTRIBUTED BY COATING EQUIPMENT TECHNOLOGY, INC

PHONE: 586-210-0555

WEB: www.cetinc.com

CONVENTIONAL AIR CAP AND FLUID NOZZLE CHART

MODEL NO.	PRESS / SIPHON	AIR CAP	FLUID TIP RANGE	FAN CONTROL	SCFM	AIR CAP RING	AVAILABLE FLUID NOZZLES	NEEDLES / marking on needle
L100C	Siphon	21-2166	0.6 - 1.8	60-1500	5	included	17-4PH STAINLESS	300 STAINLESS
		21-2266	0.6 - 1.8		12			
		21-2266T	0.6 - 1.8		12		31-0607 0.7mm (.028")	40-1110 (110)
		21-2366	0.6 - 1.8		12		31-0610 1.0mm (.040")	
		21-2466	0.6 - 1.8		15		31-0612 1.2mm (.046")	40-1122 (122)
		21-2467	2.2		15		31-0613 1.3mm (.052")	
		21-2268	2.8		15		31-0615 1.5mm (.059")	CARBIDE
	Pressure	21-2163	0.6 - 1.8		8		31-0618 1.8mm (.070")	
		21-2263	0.6 - 1.8		14		31-0622 2.2mm (.086")	40-6201
		21-2266-3	0.6 - 1.8		16.2		31-0628 2.8mm (.110")	
		21-2266-3T	0.6 - 1.8		16.2		31-0628V 2.8mm (.110")	40-6201
		21-2167	2.2		14.5			
		21-2267	2.2		15			
		21-2168	2.8		14			
	Internal Mix	21-2766B	1.0 - 1.8		8			
		21-200**	1.5 - 1.8		5.2			
		21-2201**	2.2		5.2			

Actual fluid nozzle and air cap combinations are determined by application (see application chart page 4)

*Gun inlet pressures may vary as required by application

**200 Air cap requires P/N 21-1583 base & 21-1584 ring

Operation and Maintenance Instructions for *L100C* Spray Guns

Operation

1. Connect air supply hose at handle of gun.
2. Connect a pressurized fluid supply or paint siphon cup to the gun fluid inlet.
3. Fluid flow can be controlled using the fluid control knob, this restricts flow by limiting needle travel. It is best to control fluid flow by proper selection of fluid orifice size and use the fluid control knob to “fine tune flow rate”.
4. Fan width can be adjusted using the fan control knob. Turning the knob clockwise narrows the fan.

Maintenance

IMPORTANT! Routine cleaning and maintenance is essential to insure proper gun operation.

Several states prohibit spraying solvent into the atmosphere and require the use of covered gun cleaner.

1. If a gun cleaner is being used, connect and clean the gun in the gun cleaner according to the manufactures instructions.
2. If a gun cleaner is not being used:
Remove air cap and clean separately using clean solvent.
For pressure setups, connect a pressurized solvent supply to the fluid inlet, trigger the gun allowing solvent to flow thru the gun until clean.
For siphon setups, first clean the siphon cup thoroughly then spray clean solvent thru the gun until clean.

NOTE: Gun head disassembly is not recommended for normal cleaning and maintenance.

Gun head disassembly and reassembly instructions:

Have repair kit # 10-106 available before gun disassembly.

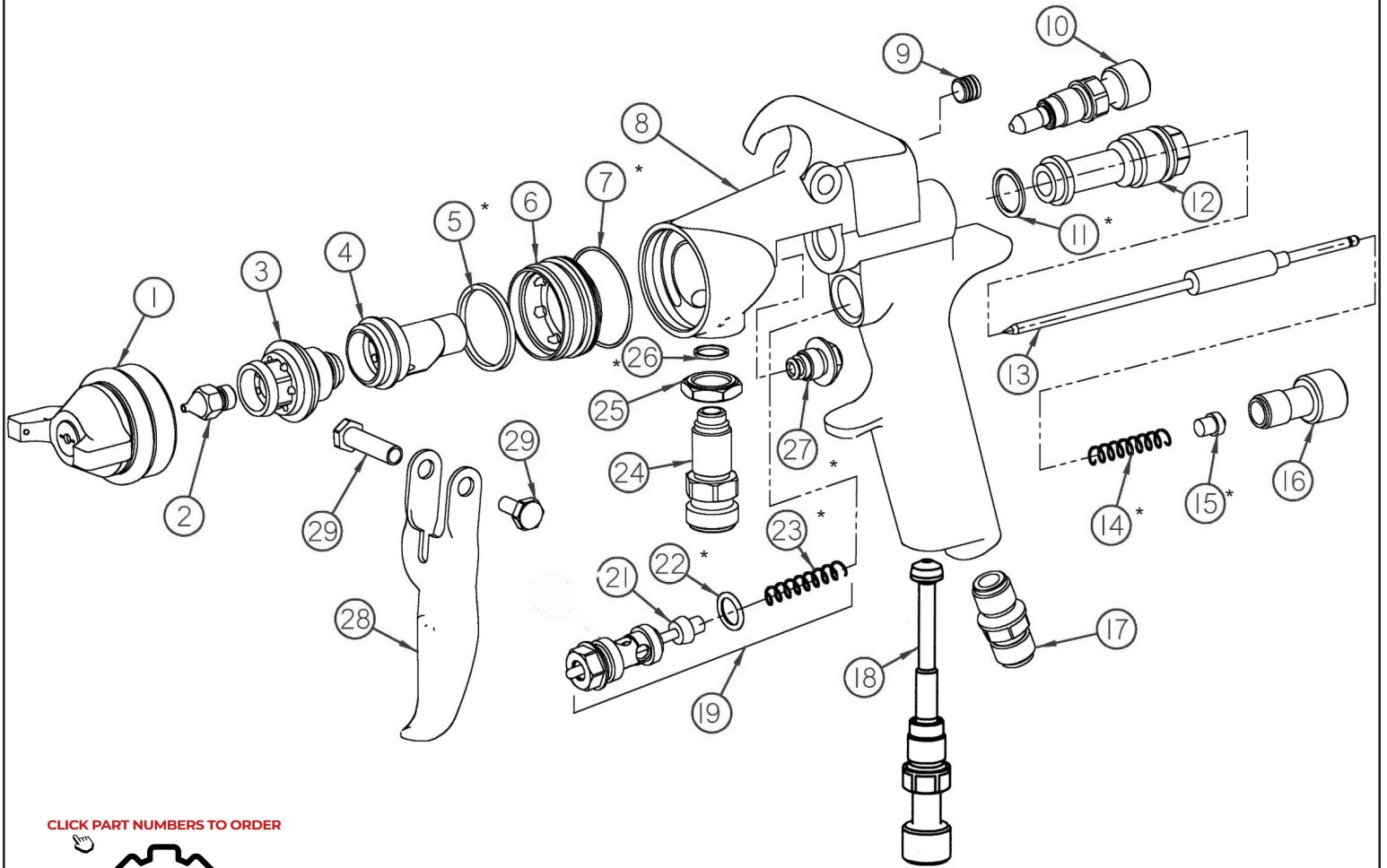
Gun head disassembly

To remove the nozzle carrier (4) and air cap adapter (6):

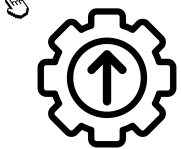
1. Remove the air cap (1), fluid nozzle tip (2), fluid nozzle body (3), and needle (13).
2. Remove the needle seal cartridge (27).
3. Loosen the locknut (25) and remove fluid inlet (24) using a 5/8” open-end wrench.
4. The nozzle carrier (4) and air cap adapter (6) will now slide forward from the gun body (8).

Gun head reassembly

1. Install a new o-ring (7) on the air cap adapter (6).
2. Install gasket (5) into the air cap adapter (6).
3. Install the thread locknut (25) onto the fluid inlet (24) as far as possible.
4. Install a new fluid inlet seal (26) into the recess area on the nozzle carrier (4) inlet port.
5. Slide the nozzle carrier (4) into air cap adapter (6) and insert into the gun body (8) as far as possible. Be sure the nozzle carrier (4) extends into the hole at the back of the gun head. Install the needle seal (27) but do not tighten.
6. Rotate the nozzle carrier (4) until the fluid inlet port in the nozzle carrier (4) is aligned with the threaded hole in the body. While in this position, insert the fluid inlet (24) and tighten firmly.
7. Tighten the needle seal (27) to approx. 12 ft.-lb. torque.
8. Tighten the fluid inlet (24) to approx. 25 ft.-lb. torque.
9. Tighten the locknut (25) to approx. 33 ft.-lb. torque.



CLICK PART NUMBERS TO ORDER



SEE "INTERACTIVE" MANUAL

CLICK PART NUMBERS TO ORDER ONLINE

ITEM NO.	PART NO.	DESCRIPTION	ITEM NO.	PART NO.	DESCRIPTION
1	See Air Cap Chart	Air Cap**	15	60-205	Spring Seat*
2	See Air Cap Chart	Fluid Tip**	16	60-202	Fluid Control Knob
3	31-2201	Fluid Nozzle Body	17	60-104	Air Inlet Fitting
4	60-L11C	Nozzle Body Carrier	18	60-1510	Inlet Air Control
5	61-1005	Seal*	19	60-1520	Air Valve Assembly
6	60-12C	Air Cap Adapter	21	60-302	Air Valve Poppet
7	60-131	O-Ring*	22	60-125	Seal*
8	60-1124	Lynx Gun Body Conventional	23	61-1003	Air Valve Spring*
9	98-0109	Allen Plug	24	60-126	Fluid Inlet
10	See Air Cap Chart	Fan Control Assembly**	25	60-128	Locknut
11	60-119	Seal*	26	60-124	Seal*
12	60-201	Rear Bushing	27	60-1400	Needle Seal*
13	See Air Cap Chart	Fluid Needle**	28	60-2101	Trigger
14	60-204	Needle Return Spring*	29	60-1033	Trigger Pivot Set

**See air cap selection chart on page 1

*Indicates part included in repair kit # 10-106

FLUID NOZZLE / AIR CAP SELECTION CHARTS

LYNX Series 100C - Pressure / Siphon Feed Guns

L100C CONVENTIONAL SPRAY GUN

MATERIAL TYPE	FLUID ORIFICE x AIR CAP	MAXIMUM PATTERN WIDTH	PRESS. / SIPHON
Very Thin less than 16 sec. Zahn #2 inks , dyes, solvents, stains	0.6, 0.7 mm x 2163	8	P
	0.6, 0.7 mm x 2166	9	S
	0.6, 0.7 mm x 2266	12	S
Thin 16 to 20 sec. Zahn #2 lacquers, enamels, primers, sealers	0.6, 0.7, 1.0 mm x 2163	8	P
	0.6, 0.7, 1.0 mm x 2366	14	S
	0.6, 0.7, 1.0 mm x 2466	13	S
Medium 21 to 30 sec. Zahn #2 automotive base coat enamels, primers epoxies, urethanes automotive clear coat	1.2, 1.3, 1.5, 1.8 mm x 2263	14	P
	1.2, 1.3, 1.5, 1.8 mm x 2266	10	S
	1.2, 1.3, 1.5, 1.8 mm x 2266-3	15	S
	1.2, 1.3, 1.5, 1.8 mm x 2466	13	S
Heavy over 30 sec. Zahn #2 heavy body primers high solid enamels high solid automotive coatings adhesives	1.5, 1.8mm x 2466	13	S
	2.2 mm x 2167	12	P
	2.2 mm x 2267	15	P
	2.8 mm x 2168	12	P