

41-812135 INFINITY 2-BALL WALL MOUNT PUMP PACKAGE STAINLESS STEEL



**READ THIS MANUAL CAREFULLY BEFORE INSTALLING,
OPERATING OR SERVICING THIS EQUIPMENT.**

It is the responsibility of the employer to place this information in the hands of the operator. Keep for future reference.

SERVICE KITS

- Use only genuine BINKS® replacement parts to assure compatible pressure rating and longest service life.
- **849303** for repair of **849315** filter / regulator.
- **861000** for repair of lower pump assembly (UHMW-PE).
- **861001** optional kit for repair of lower assembly (PTFE / Leather).
- **41-861032** for repair of air motor section

SPECIFICATIONS

Pump Model Series	41-812335
Type	Air Operated, 2-Ball, Double Acting Pump
Ratio	23:1
Air Motor	41-842002
Motor Diameter	6" (15.2 cm)
Motor Repair Kit	41-861032
Stroke	6" (15.2 cm)
Air Inlet (female)	1/2 - 14 N.P.T.F. - 1
Air Exhaust (female)	1-1/4 - 11-1/2 N.P.T.F. - 1
Lower Pump Assembly	871002
Lower Pump Repair Kit	
standard	861000 (UHMW-PE)
optional	861001 (PTFE / Leather)
Material Outlet (male)	1/4 - 18 N.P.S.

PERFORMANCE

For performance data, refer to the 41-812335 pump model operator's manual (77-3056).

OPERATING AND SAFETY PRECAUTIONS

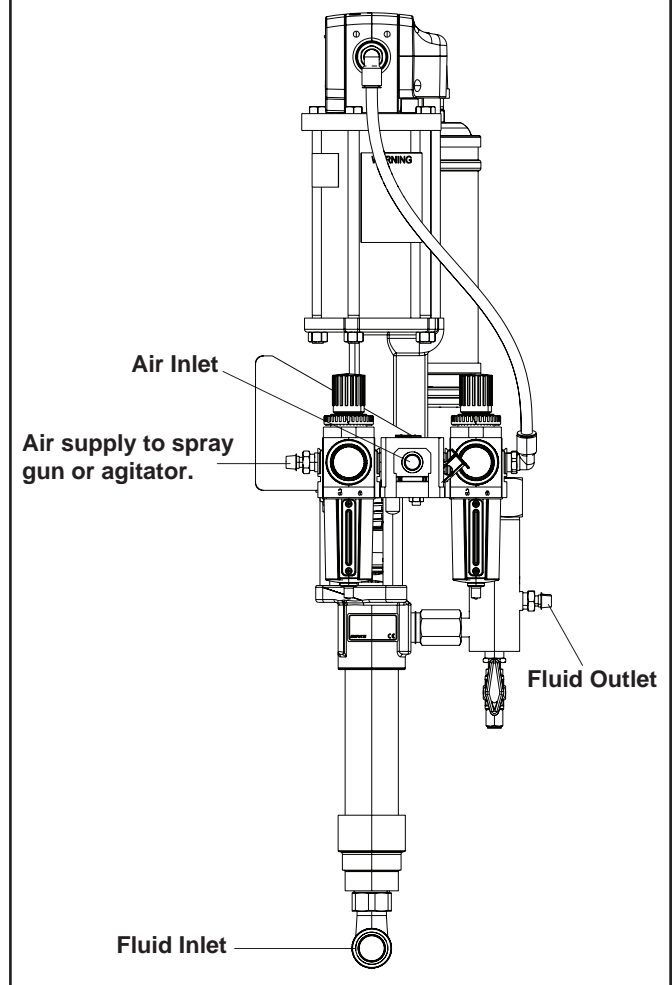
⚠ WARNING READ THE GENERAL INFORMATION MANUAL INCLUDED FOR OPERATING AND SAFETY PRECAUTIONS AND OTHER IMPORTANT INFORMATION.

INSTALLATION

Mount the Piggyback assembly (14) to the left side of the pump wall-mount bracket (3) per view A.
Connect the tubing (16) between the motor inlet connection (2) and the piggyback assembly, as shown.

PUMP DATA

WALL MOUNT PACKAGE



IMPORTANT

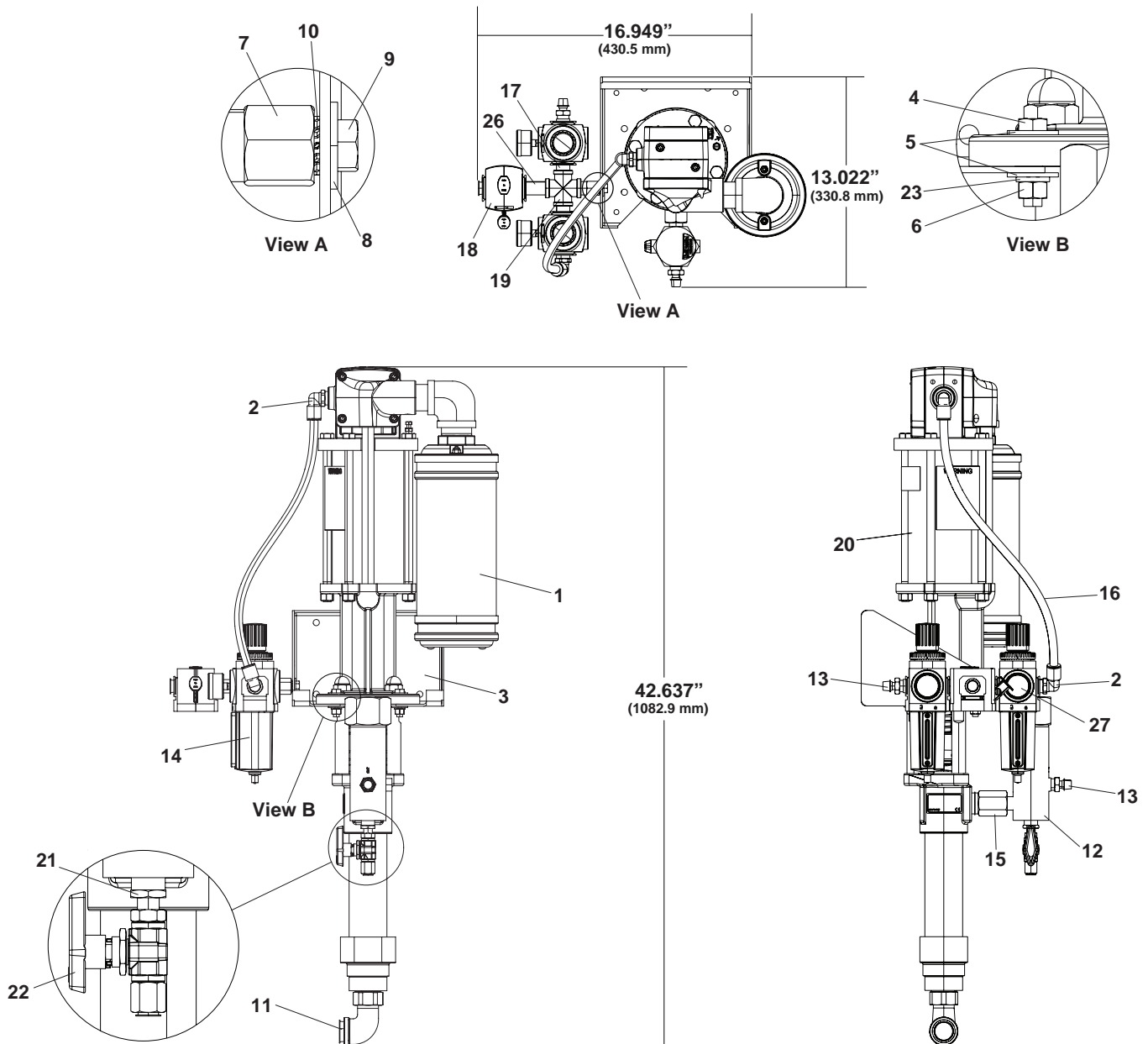
This is one of four documents which support the pump. Replacement copies of these forms are available upon request.

- 77-3065 Model Operator's Manual
- General Information - Pumping Systems
- 77-3056 Pump Operator's Manual
- 87100X Lower Pump Assembly Operator's Manual
- 77-3051 Air Motor Operator's Manual
- 84100X Material Filter Operator's Manual
- Safety Information Manual

41-812135 / PARTS LIST

Item	Description (size)	Qty	Part No.
1	Muffler Kit	(1)	41-78865-6
2	Male Elbow (1/2 N.P.T. thread x 1/2" o.d. tube)	(2)	
3	Bracket Assembly (includes items 4, 5, 6 and 23)	(1)	873115
4	Cap Screw (3/8" - 16 x 1-1/2")	(4)	
5	Washer, Flat (3/8")	(8)	
6	Nut (3/8" - 16)	(4)	
7	Adapter (1/2 - 14 N.P.T.F. [male] x 3/8" - 16 [female])	(1)	
8	Washer (3/8")	(1)	
9	Cap Screw (3/8" - 16 x 3/4")	(1)	
10	Lock Washer (3/8")	(1)	
11	Street Elbow (1 - 11-1/2 N.P.T.) (Stainless Steel)	(1)	
12	Material Filter	(1)	841006
13	Adapter (1/4 - 18 N.P.S. x 1/2 - 14 N.P.T.F.)	(2)	

Item	Description (size)	Qty	Part No.
14	Piggyback Filter / Regulator Combo	(2)	849315
15	Adapter (1/2 - 14 N.P.T.F. - 1 x 1 - 1/2 N.P.T.F. - 1)	(1)	873188
16	Tubing (1/2" o.d. x 25" long) (Nylon)	(1)	
17	Nipple (1/2 - 14 N.P.T. x 1-1/8" long)	(2)	
18	Relieving Shut-Off (1/2 - 14 N.P.T.)	(1)	
19	Cross Pipe Fitting (1/2 - 14 N.P.T.)	(1)	
20	Two-Ball Pump	(1)	41-812335
21	Bushing (1/2 - 14 N.P.T.F. [m] x 1/4 - 18 N.P.T.F. [f])	(1)	
22	Ball Valve (1/4 - 18 N.P.T.F. - 1)	(1)	
23	Lock Washer (3/8")	(4)	
26	Nipple (1/2 - 14 N.P.T. x 2" long)	(1)	
27	Gauge	(2)	



CET

DISTRIBUTED BY COATING EQUIPMENT TECHNOLOGY, INC.
store.cetinc.com • (586) 210-0555

BINKS