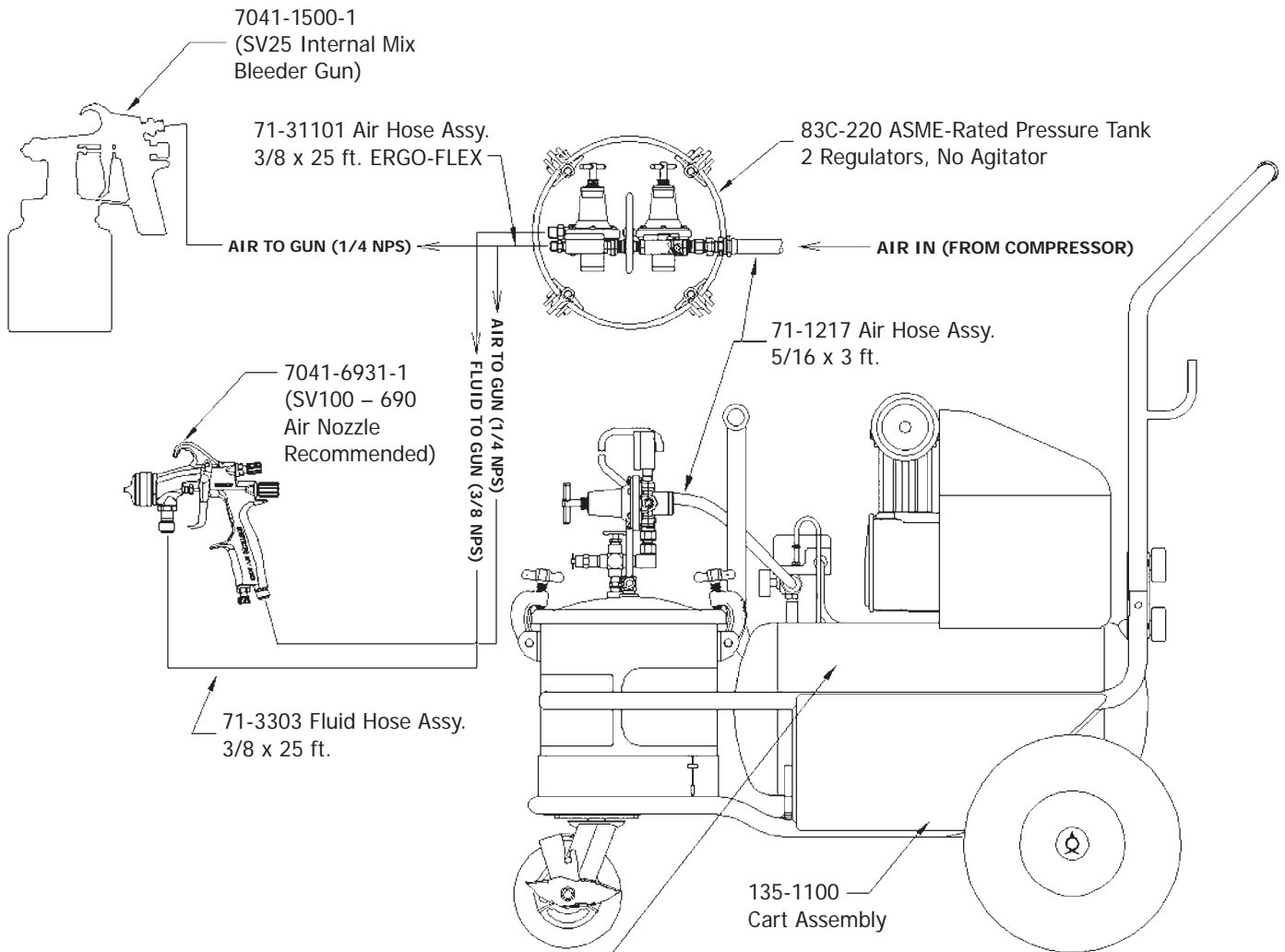




# 98-3164 SV100 & SV25 CONVERSION – OUTFIT SYSTEM SHEET



135-1130 3HP Puma Compressor  
Model OD3006A

115 VAC, 13A Single Phase

9.9 CFM Displacement

6.2 CFM Free Air @43 PSI

6.6 Gallon Tank Capacity

Compressor Weight 64 lbs.

In this part sheet, the words **WARNING**, **CAUTION** and **NOTE** are used to emphasize important safety information as follows:

## **WARNING**

Hazards or unsafe practices which could result in severe personal injury, death or substantial property damage.

## **CAUTION**

Hazards or unsafe practices which could result in minor personal injury, product or property damage.

## **NOTE**

Important installation, operation or maintenance information.

## **WARNING**

**Read the following warnings before using this equipment.**



### **READ THE MANUAL**

Before operating finishing equipment, read and understand all safety, operation and maintenance information provided in the operation manual.



### **OPERATOR TRAINING**

All personnel must be trained before operating finishing equipment.



### **EQUIPMENT MISUSE HAZARD**

Equipment misuse can cause the equipment to rupture, malfunction, or start unexpectedly and result in serious injury.



### **LOCK OUT / TAG-OUT**

Failure to de-energize, disconnect, lock out and tag-out all power sources before performing equipment maintenance could cause serious injury or death.



### **AUTOMATIC EQUIPMENT**

Automatic equipment may start suddenly without warning.



### **PRESSURE RELIEF PROCEDURE**

Always follow the pressure relief procedure in the equipment instruction manual.



### **KEEP EQUIPMENT GUARDS IN PLACE**

Do not operate the equipment if the safety devices have been removed.



### **KNOW WHERE AND HOW TO SHUT OFF THE EQUIPMENT IN CASE OF AN EMERGENCY**



### **WEAR SAFETY GLASSES**

Failure to wear safety glasses with side shields could result in serious eye injury or blindness.



### **INSPECT THE EQUIPMENT DAILY**

Inspect the equipment for worn or broken parts on a daily basis. Do not operate the equipment if you are uncertain about its condition.



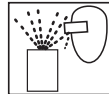
### **NEVER MODIFY THE EQUIPMENT**

Do not modify the equipment unless the manufacturer provides written approval.



### **NOISE HAZARD**

You may be injured by loud noise. Hearing protection may be required when using this equipment.



### **PROJECTILE HAZARD**

You may be injured by venting liquids or gases that are released under pressure, or flying debris.



### **PINCH POINT HAZARD**

Moving parts can crush and cut. Pinch points are basically any areas where there are moving parts.



### **STATIC CHARGE**

Fluid may develop a static charge that must be dissipated through proper grounding of the equipment, objects to be sprayed and all other electrically conductive objects in the dispensing area. Improper grounding or sparks can cause a hazardous condition and result in fire, explosion or electric shock and other serious injury.



### **WEAR RESPIRATOR**

Toxic fumes can cause serious injury or death if inhaled. Wear a respirator as recommended by the fluid and solvent manufacturer's Material Safety Data Sheet.



### **TOXIC FLUID & FUMES**

Hazardous fluid or toxic fumes can cause serious injury or death if splashed in the eyes or on the skin, inhaled, injected or swallowed. LEARN and KNOW the specific hazards of the fluids you are using.



### **FIRE AND EXPLOSION HAZARD**

Improper equipment grounding, poor ventilation, open flame or sparks can cause a hazardous condition and result in fire or explosion and serious injury.



### **MEDICAL ALERT**

Any injury caused by high pressure liquid can be serious. If you are injured or even suspect an injury:

- Go to an emergency room immediately.
- Tell the doctor you suspect an injection injury.
- Show the doctor this medical information or the medical alert card provided with your airless spray equipment.
- Tell the doctor what kind of fluid you were spraying or dispensing.



### **GET IMMEDIATE MEDICAL ATTENTION**

To prevent contact with the fluid, please note the following:

- Never point the gun/valve at anyone or any part of the body.
- Never put hand or fingers over the spray tip.
- Never attempt to stop or deflect fluid leaks with your hand, body, glove or rag.
- Always have the tip guard on the spray gun before spraying.
- Always ensure that the gun trigger safety operates before spraying.



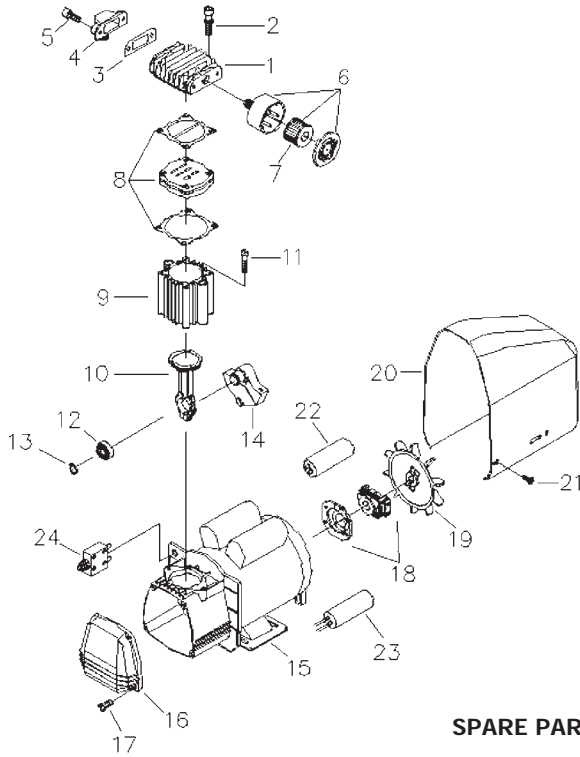
### **PROP 65 WARNING**

WARNING: This product contains chemicals known to the State of California to cause cancer and birth defects or other reproductive harm.

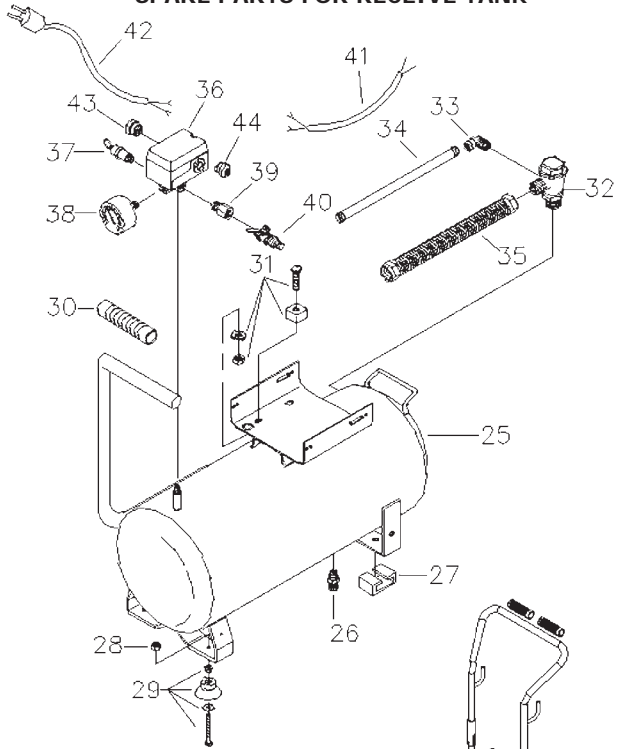
**IT IS THE RESPONSIBILITY OF THE EMPLOYER TO PROVIDE THIS INFORMATION TO THE OPERATOR OF THE EQUIPMENT. FOR FURTHER SAFETY INFORMATION REGARDING THIS EQUIPMENT, SEE THE GENERAL EQUIPMENT SAFETY BOOKLET (77-5300).**

Binks reserves the right to modify equipment specification without prior notice.

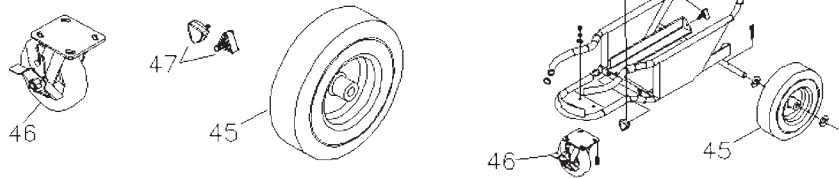
**SPARE PARTS FOR PUMP**



**SPARE PARTS FOR RECEIVE TANK**



**SPARE PARTS FOR CART**



**PARTS LIST**

(When ordering, please specify Part No.)

ITEM NO.	PART NO.	DESCRIPTION	QTY.	ITEM NO.	PART NO.	DESCRIPTION	QTY.
1	74-204	CYLINDER HEAD .....	1	26	74-200	DRAIN VALVE .....	1
2	—	ALLEN BOLT SET .....	4	27	74-201-K2 ■	RUBBER PAD .....	2
3	—	EXHAUST ELBOW GASKET .....	1	28	—	U-NUT .....	2
4	—	EXHAUST ELBOW .....	1	29	—	RUBBER PAD SET .....	2
5	—	ALLEN BOLT .....	2	30	—	GRIP .....	1
6	74-205	AIR FILTER SET .....	1	31	—	MOTOR FEED BOLT SET .....	4
7	74-206-K5 ▲	FILTER ELEMENT .....	1	32	74-202	CHECK VALVE .....	1
8	74-207-K2 ■	INLET & EXHAUST VALVE SEAT .....	1	33	—	UNLOADING ELBOW .....	1
9	—	CYLINDER .....	1	34	—	UNLOADING TUBE .....	1
10	74-208	ROD SET .....	1	35	—	EXHAUST TUBE .....	1
11	—	ALLEN BOLT .....	2	36	74-203	PRESSURE SWITCH .....	1
12	74-209	BEARING .....	1	37	—	PRESSURE RELIEF VALVE .....	1
13	74-210	RETAINER .....	1	38	—	PRESSURE GAUGE .....	1
14	74-211	CRANKSHAFT & BALANCER .....	1	39	—	BUSHING .....	1
15	—	MOTOR SET .....	1	40	—	BALL VALVE .....	1
16	—	FRONT COVER .....	1	41	—	CABLE .....	1
17	—	BOLT .....	4	42	—	POWER CABLE .....	1
18	74-212	CENTRIFUGAL SWITCH SET .....	1	43	—	STRAIN RELIEF BUSHING .....	1
19	74-213	COOLING FAN .....	1	44	—	STRAIN RELIEF BUSHING .....	1
20	74-214	SHROUD .....	1	45	135-1102-K2 ■	PNEUMATIC WHEEL .....	2
21	—	BOLT .....	6	46	135-1101	PNEUMATIC CASTOR .....	1
22	— •	STARTING CAPACITOR .....	1	47	135-1117-K2 ■	HANDLE CLAMP KNOB .....	1
23	— •	RUNNING CAPACITOR .....	1				
24	74-218	CIRCUIT BREAKER .....	1				
25	—	AIR TANK .....	1				

• Items included together 74-216 (Starting and Running Capacitor Kit)  
 ■ Available only as a 2-pack.  
 ▲ Available only as a 5-pack.

## WARRANTY POLICY

Binks products are covered by Finishing Brands one year materials and workmanship limited warranty. The use of any parts or accessories, from a source other than Finishing Brands, will void all warranties. For specific warranty information please contact the closest Finishing Brands location listed below.

Finishing Brands reserves the right to modify equipment specifications without prior notice. DeVilbiss, Ransburg, BGK, and Binks are registered trademarks of Finishing Brands.  
©2015 Finishing Brands. All rights reserved.



Binks is part of Finishing Brands, a global leader in innovative spray finishing technologies. For technical assistance or to locate an authorized distributor, contact one of our international sales and customer support locations below.

### USA/Canada

www.binks.com  
info@finishingbrands.com  
Tel: 1-800-992-4657  
Fax: 1-888-246-5732

### Mexico

www.finishingbrands.com.mx  
sales@finishingbrands.com.mx  
Tel: 011 52 55 5321 2300  
Fax: 011 52 55 5310 4790

### Brazil

www.devilbiss.com.br  
sales@devilbiss.com.br  
Tel: +55 11 5641 2776  
Fax: 55 11 5641 1256

### United Kingdom

www.finishingbrands.eu  
info@finishingbrands.eu  
Tel: +44 (0)1202 571 111  
Fax: +44 (0)1202 573 488

### France

www.finishingbrands.eu  
info@finishingbrands.eu  
Tel: +33(0)475 75 27 00  
Fax: +33(0)475 75 27 59

### Germany

www.finishingbrands.eu  
info@finishingbrands.eu  
Tel: +49 (0) 6074 403 1  
Fax: +49 (0) 6074 403 281

### China

www.finishingbrands.com.cn  
mkt@finishingbrands.com.cn  
Tel: +8621-3373 0108  
Fax: +8621-3373 0308

### Japan

www.ransburg.co.jp  
binks-devilbiss@ransburg.co.jp  
Tel: 081 45 785 6421  
Fax: 081 45 785 6517

### Australia

www.finishingbrands.com.au  
sales@finishingbrands.com.au  
Tel: +61 (0) 2 8525 7555  
Fax: +61 (0) 2 8525 7500

# CET

DISTRIBUTED BY COATING EQUIPMENT TECHNOLOGY, INC.  
store.cetinc.com • (586) 210-0555

