



# 54-4458 BINKS 4 OZ. SLG GRAVITY FEED CUP ASSEMBLY

The Binks 4 ounce Gravity Feed Cup Assembly is designed to be used with Binks Cub SLG HVLP spray guns. Created from light-weight anodized aluminum, your 4 ounce cup will last for years with proper use. This Part Sheet describes use and cleaning of the cup.

### HOW TO USE THE CUP

To attach the 4 ounce cup to your Binks gun, simply screw the cup into the inlet port on your Cub SLG HVLP gun. See illustration.

**⚠ CAUTION**

Take care not to overtighten the cup so as not to damage the cup outlet. Also, do not attempt to remove the cup nut or cup outlet. If damage occurs to these parts or to the integrity of their fitting on the cup, the entire cup assembly must be replaced.

1. Fill the cup with fluid.
2. Attach the lid to the cup, creating a tight seal all the way around the cup's perimeter.
3. Close the lid cap by pressing down firmly until you hear a snap.

**⚠ WARNING**

Regarding solvent safety: Do not use open containers for storage or disposal of solvents, cloth or paper used for surface preparation or cleanup. Solvents contain volatile chemicals that are a cause of pollution and a health and fire hazard. Always wear appropriate clothing, including gloves, eye protection, and a respirator when cleaning the cup.

**NOTE**

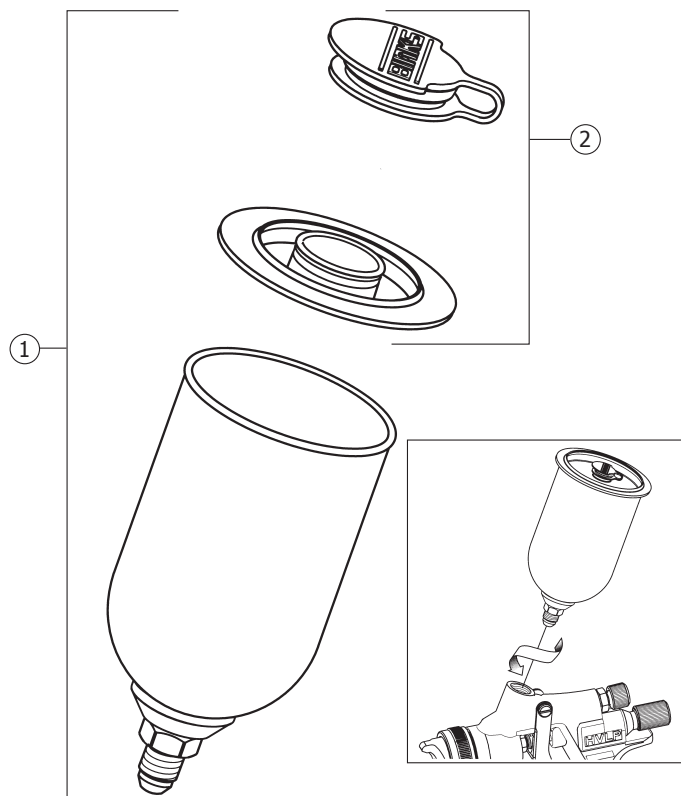
Before removing the cup, you may first wish to clean your Binks gun by flushing solvent from the cup through the gun. Refer to the instructions that came with your gun for detailed instructions on flushing solvent through the gun.

### HOW TO CLEAN THE CUP

1. Remove lid.
2. Unscrew cup.
3. Rinse cup with solvent.

**NOTE**

Never immerse cup or lid in solvent for long periods of time.



### PARTS LIST

When ordering, please specify Part No.

ITEM NO.	PART NO.	DESCRIPTION	QTY.
1	54-4458	4 OUNCE ALUMINUM GRAVITY FEED CUP ASSEMBLY.....	1
2	54-4539 ■	4 OUNCE CUP LID ASSEMBLY	

■ Replacement lids are available in the Lid Assembly Quantity Pack only (54-4539), (3 lids and caps). Gravity cup is NOT sold separately.

#### OPTIONAL CUP SIZES:

- 81-381• 8 OUNCE GRAVITY FEED CUP ASSEMBLY
- SRI-510 4 OUNCE ACETAL GRAVITY CUP ASSEMBLY

• Available from Binks distributors only.

---

## WARRANTY POLICY

This product is covered by Carlisle Fluid Technologies' materials and workmanship limited warranty. The use of any parts or accessories, from a source other than Carlisle Fluid Technologies, will void all warranties. Failure to reasonably follow any maintenance guidance provided may invalidate any warranty.

For specific warranty information please contact Carlisle Fluid Technologies.

---

For technical assistance or to locate an authorized distributor, contact one of our international sales and customer support locations.

<b>Region</b>	<b>Industrial / Automotive</b>	<b>Automotive Refinishing</b>
Americas	Tel: 1-800-992-4657 Fax: 1-888-246-5732	Tel: 1-800-445-3988 Fax: 1-800-445-6643
Europe, Africa, Middle East, India	Tel: +44 (0)1202 571 111 Fax: +44 (0)1202 573 488	
China	Tel: +8621-3373 0108 Fax: +8621-3373 0308	
Japan	Tel: +81 45 785 6421 Fax: +81 45 785 6517	
Australia	Tel: +61 (0) 2 8525 7555 Fax: +61 (0) 2 8525 7575	

For the latest information about our products, visit [www.carlisleleft.com](http://www.carlisleleft.com)

---

Carlisle Fluid Technologies is a global leader in innovative finishing technologies. Carlisle Fluid Technologies reserves the right to modify equipment specifications without prior notice.

BGK™, Binks®, DeVilbiss®, Hosco®, MS®, and Ransburg® are all registered trademarks of Carlisle Fluid Technologies, Inc.

©2021 Carlisle Fluid Technologies, Inc.  
All rights reserved.



DISTRIBUTED BY COATING EQUIPMENT TECHNOLOGY, INC.  
[store.cetinc.com](http://store.cetinc.com) • (586) 210-0555